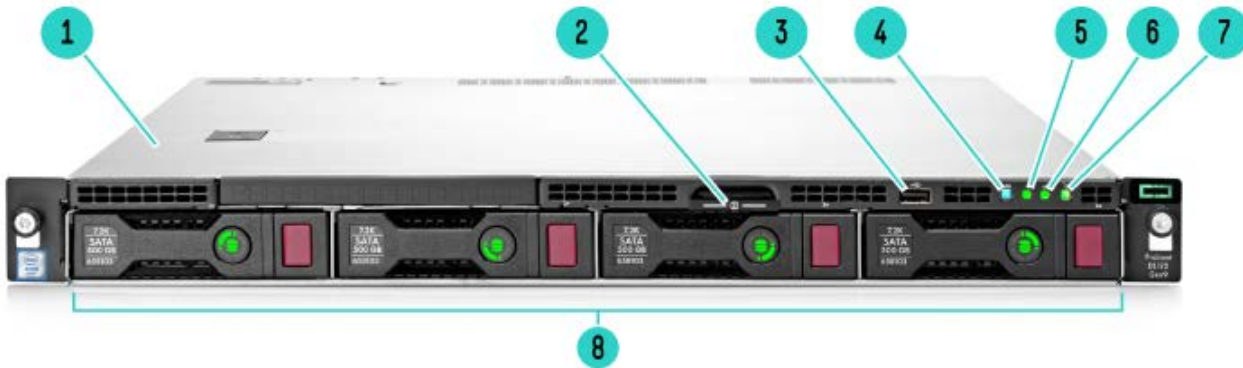


Overview

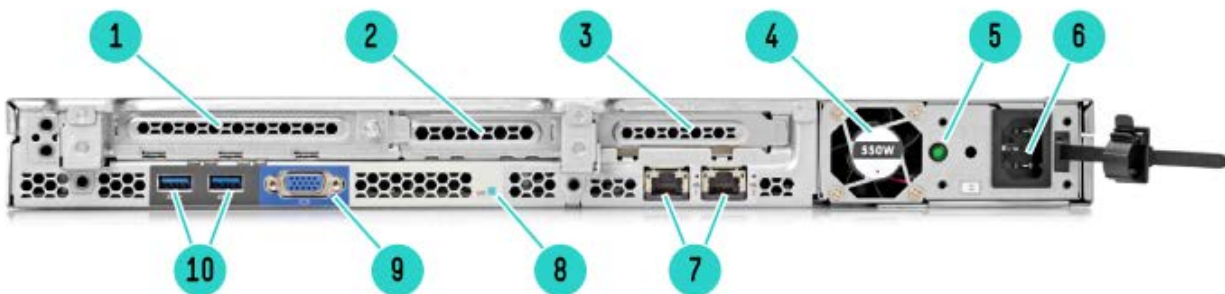
HPE ProLiant DL120 Generation9 (Gen9)

The HPE ProLiant DL120 Gen9, an enterprise class design packed in a dense 1U/1-socket form factor, powered by an Intel® Xeon® E5-2600 v3/v4 series processor. Offering a combination of performance, redundancy, expandability as compared to the traditional 1P servers making the DL120 Gen9 ideal for the growing needs of virtualization and general purpose workloads.



Front View

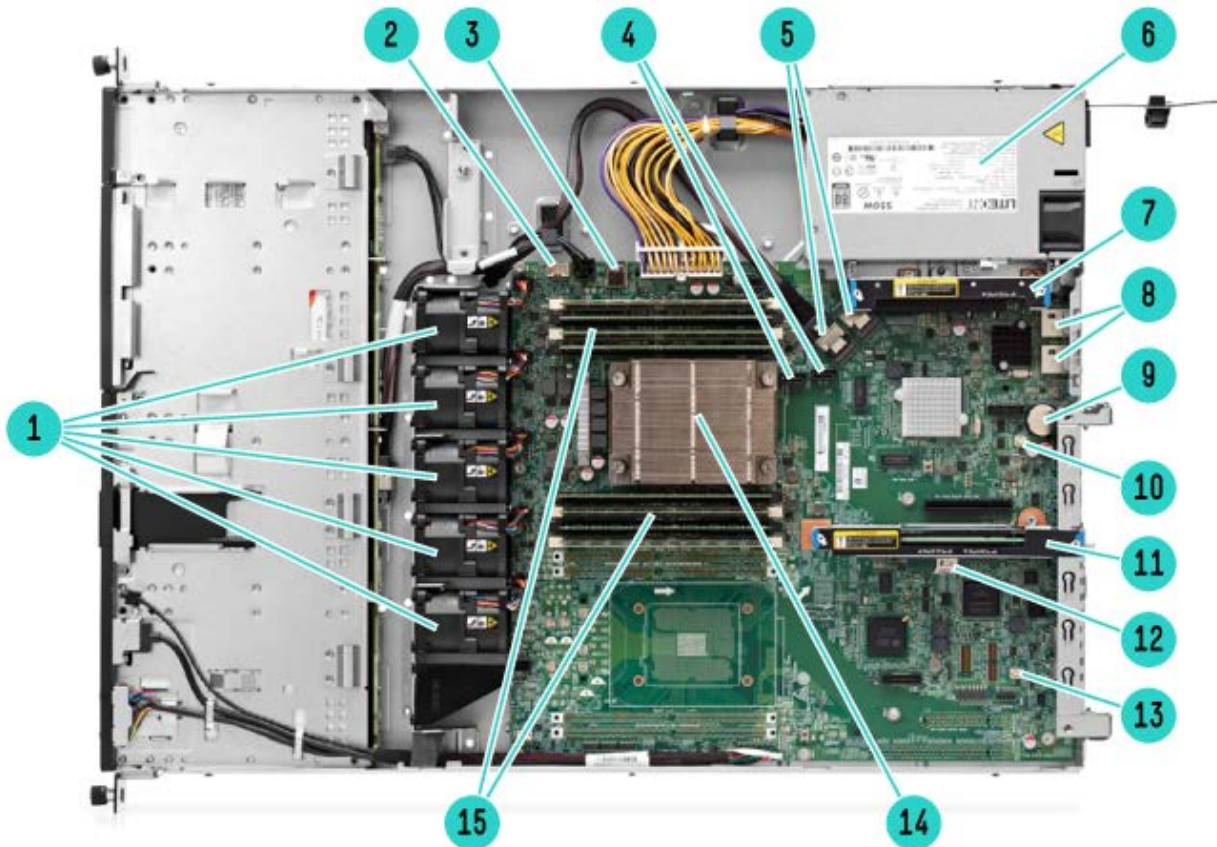
- | | |
|--|-------------------------|
| 1 Access Panel | 2 Serial label pull tab |
| 3 USB 2.0 connector | 4 UID LED |
| 5 Health LED | 6 NIC status LED |
| 7 Power On/Standby button and system power LED | 8 4LFF drive |



Rear view

- | | |
|--|---------------------------------|
| 1 Slot 3 PCIe3 x8 (8, 4, 1)
NOTE: Slot 3 supports PCIe x16 (16, 8, 4, 1) if the GPU riser cage is installed. | 2 Slot 2 PCIe3 x8 (8, 4, 1) |
| 3 Slot 1 PCIe3 x16 (16, 8, 4, 1) | 4 Non-hot-plug power supply |
| 5 Power supply power LED | 6 Power supply power connection |
| 7 Embedded 2x1GbE network adapter | 8 UID LED |
| 9 Video connector | 10 USB 3.0 connectors |

Overview



Internal View

- | | | | |
|----|--|----|--|
| 1 | Hot swappable fans (up to 5) | 2 | HPE Smart Storage Battery connector |
| 3 | Internal USB 3.0 | 4 | SATA connector |
| 5 | Mini-SAS connectors | 6 | Power supply bay |
| 7 | Primary PCIe riser board connector | 8 | Embedded 2x1GbE network adapter |
| 9 | System Battery | 10 | Storage backup power connector for PCIe slots 1-2 |
| 11 | Secondary PCIe riser slot | 12 | MicroSD slot |
| 13 | Storage backup power connector for PCIe slot 3 | 14 | Processor heat sink (processor with HPE Smart Socket placed below heat sink) |
| 15 | DDR4 DIMM slots (up to 8) | | |

What's New

- Introducing new 14c 2.6GHz, E5-2690v4 processor support on DL120 Gen9
- New LFF 10TB SATA/SAS drives increases maximum capacity of DL120 Gen9 capacity to 40TB

Standard Features

NOTE: For more information regarding Intel Xeon processors, please see the following <http://www.intel.com/xeon>.

Processor	Model	CPU frequency	Cores	L3 Cache	Power	QPI	DDR4 Hz
One of the following depending on model	E5-2699v3	2.3GHz	18	45MB	145W	9.6GT/s	2133
	E5-2698v3	2.3GHz	16	40MB	135W	9.6GT/s	2133
	E5-2695v3	2.3GHz	14	35MB	120W	9.6GT/s	2133
	E5-2660v3	2.6GHz	10	25MB	105W	9.6GT/s	2133
	E5-2650v3	2.3GHz	10	25MB	105W	9.6GT/s	2133
	E5-2650Lv3	1.8GHz	12	30MB	65W	9.6GT/s	2133
	E5-2640v3	2.6GHz	8	20MB	90W	8.0GT/s	1866
	E5-2630v3	2.4GHz	8	20MB	85W	8.0GT/s	1866
	E5-2630Lv3	1.8GHz	8	20MB	55W	8.0GT/s	1866
	E5-2623v3	3.0GHz	4	10MB	105W	8.0GT/s	1866
	E5-2620v3	2.4GHz	6	15MB	85W	8.0GT/s	1866
	E5-2609v3	1.9GHz	6	15MB	85W	6.4GT/s	1600
	E5-2603v3	1.6GHz	6	15MB	85W	6.4GT/s	1600
	E5-1650v3	3.5GHz	6	15MB	140W	0.0GT/s	2133
	E5-1620v3	3.5GHz	4	10MB	140W	0.0GT/s	2133
	E5-2699v4	2.2GHz	22	55MB	145W	9.6GT/s	2400
	E5-2698v4	2.2GHz	20	50MB	135W	9.6GT/s	2400
	E5-2695v4	2.1GHz	18	45MB	120W	9.6GT/s	2400
	E5-2690v4	2.6GHz	14	35MB	135W	9.6GT/s	2400
	E5-2660v4	2.0GHz	14	35MB	105W	9.6GT/s	2400
	E5-2650v4	2.2GHz	12	30MB	105W	9.6GT/s	2400
	E5-2650Lv4	1.7GHz	14	35MB	65W	9.6GT/s	2400
	E5-2640v4	2.4GHz	10	25MB	90W	8.0GT/s	2133
	E5-2630v4	2.2GHz	10	25MB	85W	8.0GT/s	2133
	E5-2630Lv4	1.8GHz	10	25MB	55W	8.0GT/s	2133
	E5-2623v4	2.6GHz	4	10MB	85W	8.0GT/s	2133
	E5-2620v4	2.1GHz	8	20MB	85W	8.0GT/s	2133
	E5-2609v4	1.7GHz	8	20MB	85W	6.4GT/s	1866
	E5-2603v4	1.7GHz	6	15MB	85W	6.4GT/s	1866
	E5-1650v4	3.6GHz	6	15MB	140W	0.0GT/s	2400
	E5-1620v4	3.5GHz	4	10MB	140W	0.0GT/s	2400

Chipset

Intel® C610 Series Chipset

One of the following depending on model

Intel® E5-2600v3 Processor Family

Intel® E5-2600v4 Processor Family

NOTE: For more information regarding Intel® chipsets, please see the following

URL: <http://www.intel.com/products/server/chipsets/>.

On System Management Chipset

HPE iLO (Firmware HPE iLO4 2.0 or later) 2GB NAND

NOTE: Read and learn more in the [iLO QuickSpecs](#).

Memory

Type:

HPE SmartMemory

Standard Features

One of the following depending on model	DDR4 Registered (RDIMM) or Load Reduced (LRDIMM)		
	DIMM Slots Available	8	(8 DIMM slots per processor, 4 channels per processor, 2 DIMMs per channel)
	Maximum Capacity (LRDIMM)	256GB	(8 x 32GB RDIMM @2133MHz)
	Maximum Capacity (RDIMM)	256GB	(8 x 32GB LRDIMM @2400MHz)

Memory Protection	Advanced ECC	Advanced ECC uses single device data correction to detect and correct single and all multibit error that occurs within a single DRAM chip.
One of the following depending on model	Online spare	Memory online spare mode detects a rank that is degrading and switches operation to the spare rank.

Network Controller	HPE Ethernet 1Gb 2-port Adapter
	The HPE ProLiant DL120 Gen9 server offers the customer a dual-port NIC standard with the option to upgrade with a variety of networking options.

Expansion Slots

CPU PCIe riser slots	Expansion Slots #	Technology	Bus Width	Connector Width	Bus Number	Form Factor	Notes	
	1	PCIe 3.0	x16	x16		Low profile		
NOTE: Bus Width data indicates the number of physical electrical lanes running to the connector.								
FlexibleLOM riser slots (Option 1)	Expansion Slots #	Technology	Bus Width	Connector Width	Bus Number	Device Number	Form Factor	Notes
	2	PCIe 3.0	x8	x8			Low profile	
	3	Flexible LOM	x8	x8			FlexibleLOM	can only be used for FlexibleLOMs
CPU riser PCIe slots (Option 2)	Expansion Slots #	Technology	Bus Width	Connector Width	Bus Number	Device Number	Form Factor	Notes
	2	PCIe 3.0	x8	x8			Low profile	
	3	PCIe 3.0	x8	x8			Full-height, half-length slot	
GPU riser (Option 3)	Expansion Slots #	Technology	Bus Width	Connector Width	Bus Number	Device Number	Form Factor	Notes
	3	PCIe 3.0	x16	x16			Full-height, full-length slot	GPU

Storage Controller	Entry Models	HPE Dynamic Smart Array B140i Controller
One of the following depending on model	Base Models	HPE H240 FIO Smart Host Bus Adapter
	NOTE: B140i provides support for up to 8 SATA drives and supports RAID 0, 1, 1+0 & 5.	
	NOTE: H240 provides support for up to 8 SAS/SATA drives and supports RAID 0, 1, 1+0 & 5.	

Internal Storage Devices	Optical Drives	Optional: DVD-ROM, DVD-RW
One of the following depending on model	Hard Drives	None ship standard
	Hard Drive Bays	8 SFF drive bays total with Optical Bay 4 LFF drive bays total with Optical bay
	NOTE: HPE ProLiant DL120 Gen9 server offers both SFF and LFF versions in CTO. The Optical Drive bay is available with both models.	

Standard Features

NOTE: All Pre-configured Models come populated with some hard drive blanks installed. Should the customer need additional hard drive blanks, they can order more using either P/N 666987-B21: HPE SFF Gen9 Hard Drive Blank Kit or P/N 666986-B21: HPE LFF Gen9 Hard Drive Blank Kit. These part numbers for single HDD blanks below are also provided should the customer require replacement HDD blanks for their server.

Maximum Internal Storage		CAPACITY	CONFIGURATION
One of the following depending on model	Hot Plug SFF SAS	16.0TB	8x2TB
	Hot Plug SFF SATA	16.0TB	8x2TB
	Hot Plug LFF SAS	40.0TB	40x10TB
	Hot Plug LFF SATA	40TB	4x10TB
	Hot Plug SFF SAS SSD	30.72TB	8x3.84TB
	Hot Plug SFF SATA SSD	30.72TB	8x3.84TB
	Hot Plug LFF SATA SSD	15.36TB	4x3.84TB

Power Supply HPE 550W FIO Power Supply
 One of the following depending on model HPE 900W Redundant Power Supply
 Looking for high-efficiency power solutions at an entry-level price for your ProLiant Gen9 Essential Server? HPE Entry-Level Power Supplies offer an optimized set of features with options for both redundant and non-redundant power configurations.

The HPE 550W FIO Power Supply offers Silver-certified 80 Plus power efficiency (up to 89%) with an optimized set of features for non-redundant power configurations.

The HPE 900W AC 240VDC Power Input Module with Power Backplane can be configured to support power redundancy in ProLiant servers that offer only a single power supply bay, providing additional protection against power loss. With an 80 Plus Gold power efficiency rating (up to 92%), this power option helps to reduce operating expenses while protecting against trapped power capacity in the data center. Hot-plug AC power input modules allow for better serviceability with fast and easy deployment and replacement.

System Fans		Non-redundant	Redundant
One of the following depending on model	1P model	3 fans	5 fans
		NOTE: Redundant fan option kit (P/N: 765513-B21) can be bought separately if redundancy is required with configurations. NOTE: Fan redundancy is not supported for processors exceeding 105W.	

Interfaces		
	Video	1 (Vaux Support)
	USB	4 USB ports (standard)
		Front: 1xUSB 2.0 std
		Rear: 2xUSB 3.0
	Internal: 1x USB 3.0	
Micro SD Slot	1 Micro SD	
	NOTE: The SD slot is not a hot-pluggable device. Customers should not attempt to plug an SD card into the SD slot while the server is powered.	
LOM Network Ports	2x1GbE ports	

Operating Systems and Virtualization Software Support
Microsoft Windows Server
Red Hat Enterprise Linux (RHEL)
SUSE Linux Enterprise Server (SLES)

Standard Features

for ProLiant Servers

VMware

NOTE: For more information on Hewlett Packard Enterprise Certified and Supported ProLiant Servers for OS and Virtualization Software and latest listing of software drivers available for your server, please visit our Support Matrix at: <http://www.hp.com/go/ossupport> and our driver download page <http://h20566.www2.hp.com/hpsc/swd/public/readIndex?sp4ts.oid=7481828>.

Upgradeability

FlexibleLOM slot for 1GbE or 10GbE or QDR/FDR InfiniBand Networking Options

One of the following depending on model

- Up to 8 SFF Hard Drive Bays; or 4 LFF Hard Drive Bays
- Up to 8 DIMM slots
- Redundant Power Supply
- Optical Drive Bay (8 SFF/4 LFF)

Industry Standard Compliance

ACPI 2.0b Compliant
 PCIe 3.0 Compliant
 PXE Support
 WOL Support
 Microsoft® Logo certifications
 USB 3.0 Support
 ASHRAE A3

NOTE: Refer to technical specifications section for more details.

Graphics

Integrated Matrox G200eH2 video standard

- 1280 x 1024 (32 bpp)
- 1920 x 1200 (16 bpp)

HPE Server UEFI/Legacy ROM

Unified Extensible Firmware Interface (UEFI) is an industry standard that provides better manageability and more secured configuration than the legacy ROM while interacting with your server at boot time. HPE ProLiant Gen9 platform defaults to UEFI and can be factory or field configured for Legacy BIOS Boot Mode.

NOTE: The UEFI System Utilities function is analogous to the HPE ROM-Based Setup Utility (RBSU) of legacy BIOS. For more information, please visit <http://www.hpe.com/servers/uefi>

UEFI enables numerous new capabilities specific to HPE ProLiant servers such as:

- Secure Boot
- Operating system specific functionality
- Support for > 2.2 TB (using GPT) boot drives
- USB 3.0 Stack
- Embedded UEFI Shell
- Mass Configuration Deployment Tool using RESTful API for iLO 4
- PXE boot support for IPv6 networks
- Boot support for option cards that only support a UEFI option ROM
- Network Stack configurations

NOTE: For UEFI Boot Mode, boot environment and OS image installations should be configured properly to support UEFI.

NOTE: UEFI FIO Setting (758959-B22) can be selected to configure the system in Legacy mode in the factory for your HPE ProLiant Gen9 Server.

Standard Features

Form Factor 1U Rack form factor
 One of the following 8SFF and 4LFF version:
 depending on model 1.69" (4.29cm) Height x 17.11" (43.46cm) Width x 23.9" (60.7cm) Length

Embedded Management **HPE Integrated Lights-Out (HPE iLO)** Monitor your servers for ongoing management, service alerting, reporting and remote management with HPE iLO. Not available on ML10 Gen9. Learn more at <http://www.hpe.com/info/ilo>.

UEFI Configure and boot your servers securely with industry standard Unified Extensible Firmware Interface (UEFI). Learn more at <http://www.hpe.com/servers/uefi>.

RESTful API RESTful API for iLO 4 is Redfish 1.0 conformance for simplified server management such as configuration and maintenance tasks based on modern industry standards. Learn more at <http://www.hpe.com/info/restfulapi>.

Intelligent Provisioning Hassle free server and OS provisioning for 1 or few servers with Intelligent Provisioning. Learn more at <http://www.hpe.com/servers/intelligentprovisioning>.

Embedded Remote Support The Hewlett Packard Enterprise embedded remote support, when used with Insight Online direct connect or HPE Insight Remote Support, allows HPE ProLiant servers to transmit hardware events directly to Hewlett Packard Enterprise or a Hewlett Packard Enterprise Authorized Partner for automated phone home support. Learn more at <http://www.hpe.com/info/insightonline/explore>.

NOTE: For more information, visit: <http://www.hp.com/go/ilo> or [HPE iLO Management Engine technologies whitepaper](#).

Server utilities **Smart Update** Optimize firmware and driver updates with Smart Update solutions including Smart Update Manager (SUM) and Service Pack for ProLiant (SPP) and smart components. Learn more at <http://www.hpe.com/servers/smartupdatemanager>.

HPE Systems Insight Manager (HPE SIM) HPE SIM allows you to monitor the health of your HPE ProLiant Servers and HPE Integrity Servers, and also provides you with basic support for non-HPE servers. HPE SIM also integrates with Smart Update Manager to provide quick and seamless firmware updates. Learn more at <http://www.hpe.com/servers/hpsim>.

Scripting Tool Kit and Windows PowerShell Provision 1 to many servers using your own scripts to discover and deploy them with Scripting Tool Kit (STK) for Windows and Linux or Scripting Tools for Windows PowerShell. Learn more at <http://www.hpe.com/servers/proliant/stk> or <http://www.hpe.com/servers/powershell>.

RESTful Interface Tool RESTful Interface tool is a scripting tool to provision using RESTful API for iLO 4 to discover and deploy servers at scale. Learn more at <http://www.hpe.com/info/resttool>.

Standard Features

HPE iLO Mobile Application Enables the ability to access, deploy, and manage your server anytime from anywhere from select smartphones and mobile devices. For additional information please visit: <http://www.hpe.com/info/ilo/mobileapp>.

HPE Insight Online HPE Insight Online, available at no additional cost as part of your Hewlett Packard Enterprise warranty, Care Pack or contractual support agreement with Hewlett Packard Enterprise, is a personalized dashboard for simplified tracking of IT operations and support information from anywhere, anytime. Learn more at <http://www.hpe.com/info/insightonline/explore>.

Security

Power-on password
Serial interface control
Administrator's password
TPM 2.0
UEFI

Warranty

This product is covered by a global limited warranty and supported by HPE Services and a worldwide network of HPE Authorized Channel Partners resellers. Hardware diagnostic support and repair is available for three years from date of purchase. Support for software and initial setup is available for 90 days from date of purchase. Enhancements to warranty services are available through HPE Care Pack services or customized service agreements. Hard drives have either a one year or three year warranty; refer to the specific hard drive QuickSpecs for details.

NOTE: Server Warranty includes 3-Year Parts, 1-Year Labor, 1-Year Onsite support with next business day response. Warranty repairs may be accomplished through the use of Customer Self Repair (CSR) parts. These parts fall into two categories: 1) Mandatory CSR parts are designed for easy replacement. A travel and labor charge will result when customers decline to replace a Mandatory CSR part; 2) Optional CSR parts are also designed for easy replacement but may involve added complexity. Customers may choose to have Hewlett Packard Enterprise replace Optional CSR parts at no charge. Additional information regarding worldwide limited warranty and technical support is available at: <http://h17007.www1.hpe.com/us/en/enterprise/servers/warranty/>.

Optional Features

Embedded Management	iLO Essentials	HPE iLO Essentials is the preferred license for small and medium business that offers full remote server management capabilities for small and medium business via the Integrated Remote Console (IRC), virtual media, and e-mail based alerts. Learn more about HPE iLO Essentials at http://www.hpe.com/servers/iLO/essentials .
	iLO Scale-Out	HPE iLO Scale-Out is the preferred license built for web hosting, cloud service providers, and high performance computing data centers, managing massive scale out environments for the DL 100 and 10 series servers, not available for ML servers. This license offers sophisticated scripting tools that provides remote access through Text Console via SSH, Dynamic power capping, Email-based Alerting and proactive notifications. For more information, visit http://www.hpe.com/servers/iLO/scale-out .
	iLO Advanced	HPE iLO Advanced licenses offer smart remote functionality without compromise, for all HPE ProLiant servers. The license includes the full integrated remote console, virtual keyboard, video, and mouse (KVM), multi-user collaboration, console record and replay, and GUI-based and scripted virtual media and virtual folders. You can also activate the enhanced security and power management functionality. Learn more about HPE iLO Advanced at http://www.hpe.com/servers/ioloadvanced .
Server Management	HPE Insight Control	HPE Insight Control, lets you deploy, migrate, monitor, remote control, and optimize your IT infrastructure through a single, simple management console. For more information, see http://www.hpe.com/info/insightcontrol .
Rack and Power Infrastructure	HPE Rack and Power Infrastructure products and services create highly efficient and intelligent solutions for existing or new IT data centers. HPE Rack and Power infrastructure solutions – rack infrastructure, power protection and management, performance optimized data centers (PODs) – are the foundation you are looking for to help secure your long-term IT success. These products are designed to help you react to changes in the industry. They deliver efficient, easy-to-use capabilities to manage, monitor, deploy and provision infrastructure from entry to enterprise. As an industry leader, Hewlett Packard Enterprise is uniquely positioned to address the key concerns of power, cooling, cable management and system access. Learn more at HPE Rack and Power Infrastructure .	
High Performance Clusters	HPE Cluster Platforms are specifically engineered, factory-integrated large-scale ProLiant clusters optimized for High Performance Computing, with a choice of servers, networks and software. Operating system options include specially priced offerings for Red Hat Enterprise Linux and SUSE Linux Enterprise Server, as well as Microsoft Windows HPEC Server. A Cluster Platform Configurator simplifies ordering. http://www.hp.com/go/clusters .	
HPC Interconnects	NOTE: High Performance Computing (HPC) interconnect technologies are available for this server under the HPE Cluster Platform product portfolio. These high-speed interconnects are fully supported by Hewlett Packard Enterprise when they are part of these configure to order clusters. Solutions can be defined with a lot of flexibility with the help of configuration tools. Please visit the following URL to configure HPEC Clusters with InfiniBand Interconnects: http://www.hp.com/techservers/clusters/ucp/index.html .	
Storage Software	Whether you need to solve a specific data protection, archiving, or storage command and control challenge, or deliver on strategic consolidation, compliance, or continuity initiatives, look no further	

Optional Features

than Hewlett Packard Enterprise storage software. Our storage software helps you reduce costs, simplify storage infrastructure, protect vital assets and respond faster to business opportunities. Storage software that gets the job done:

- **Data Protection and Recovery Software**
Whether you're a large enterprise or a smaller business, Hewlett Packard Enterprise data protection and recovery software will cost-effectively protect you against disaster and ensure business continuity.
- **Data Archive and Migration Software**
Hewlett Packard Enterprise storage software enables you to comply with data retention and retrieval requirements, improve application performance, and reduce costs by efficiently migrating infrequently accessed or less valuable data to lower cost storage.
- **Storage Resource Management Software (SRM)**
Hewlett Packard Enterprise storage resource management software reduces operational costs and provides the command and control foundation you need to efficiently manage and visualize your physical and virtual environments.
- **Data Replication Software**
Hewlett Packard Enterprise offers array-based and host-based replication software for use in disaster recovery, testing, application development and reporting.
- **Storage Device Management Software**
Maximize your investment in Hewlett Packard Enterprise storage and networking with software that enables hardware-specific configuration, performance tuning and connectivity management.
- **HPE StoreVirtual VSA**
With HPE StoreVirtual VSA you can use the power of virtualization to create a virtual array within your host server. Manage it as a single pool of shared storage capacity, and scale it to match your evolving needs. HPE ProLiant Gen9 servers include a 3-year limited license for HPE StoreVirtual VSA software with 1TB of capacity at no extra cost. Simply select to install HPE StoreVirtual VSA software during server setup within Intelligent Provisioning. More information, instructional videos, and free console management software are available at <http://www.hp.com/go/vsa1TB>.

NOTE: For more information about Storage Software including QuickSpecs, please see: <http://www.hp.com/go/storage/software>.

One Config Simple (SCE) SCE is a guided self-service tool to help sales and non-technical people provide customers with initial configurations in 3 to 5 minutes. You may then send the configuration on for configuration help, or use in your existing ordering processes. If you require "custom" rack configuration or configuration for products not available in SCE, please contact Hewlett Packard Enterprise Customer Business Center or an Authorized Partner for assistance. <https://h22174.www2.hp.com/SimplifiedConfig/Index>.

Service and Support

HPE Support Services

HPE Technology Services delivers confidence, reduces risk and helps customers realize agility and stability. Connect to Hewlett Packard Enterprise to help prevent problems and solve issues faster. HPE Support Services enable you to choose the right service level, length of coverage and response time as you purchase your new server, giving you full entitlement to the support for need for your IT and business.

Connect your devices

Unlock all of the benefits of your technology investment by connecting your products to Hewlett Packard Enterprise. Achieve up to 77%¹ reduction in down time, near 100%² diagnostic accuracy and a single consolidated view of your environment. By connecting, you will receive 24x7 monitoring, pre-failure alerts, automatic call logging, and automatic parts dispatch. HPE Proactive Care Service and HPE Datacenter Care Service customers will also benefit from proactive activities to help prevent issues and increase optimization. All of these benefits are already available to you with your server storage and networking products, securely connected to Hewlett Packard Enterprise support.

1- IDC 2 - HP CSC reports 2014 - 2015

Recommended Support

Standard: HPE Foundation Care 24x7, three-year Support Service

HPE Foundation Care 24x7 gives you access to Hewlett Packard Enterprise 24 hours a day, seven days a week for assistance on resolving issues. This service includes need based Hardware onsite response within four hours. In addition, collaborative software support is included in this service that provides troubleshooting assistance on industry leading software running on your HPE server. Simplify your support experience and make Hewlett Packard Enterprise your first call to help resolve hardware or software problems.

<https://www.hpe.com/h20195/V2/GetDocument.aspx?docname=4AA4-8876ENW&cc=us&lc=en>

Optimized: HPE Proactive Care* with 24x7 coverage, three year Support Service

HPE Proactive Care gives customers an enhanced call experience. When your products are connected to Hewlett Packard Enterprise, Proactive Care helps prevent problems and maintains IT stability by utilizing personalized proactive reports with recommendations and advice. This service combines three years proactive reporting and advice with our 24x7 coverage, four hour hardware response time when there is a problem. This service also includes collaborative software support for Independent Software Vendors (ISVs), (Red Hat, VMWare, Microsoft, etc.) running on your HPE servers.

<https://www.hpe.com/h20195/v2/GetPDF.aspx/4AA3-8855ENW.pdf>

Parts and Materials

Hewlett Packard Enterprise will provide Hewlett Packard Enterprise-supported replacement parts and materials necessary to maintain the covered hardware product in operating condition, including parts and materials for available and recommended engineering improvements.

Parts and components that have reached their maximum supported lifetime and/or the maximum usage limitations as set forth in the manufacturer's operating manual, product QuickSpecs, or the technical product data sheet will not be provided, repaired, or replaced as part of these services.

The defective media retention service feature option applies only to Disk or eligible SSD/Flash Drives replaced by Hewlett Packard Enterprise due to malfunction.

Related Services

HPE Server Hardware Installation

Provides for the basic hardware installation of Hewlett Packard Enterprise branded servers, storage devices and networking options to assist you in bringing your new hardware into operation in a timely and professional manner.

<https://www.hpe.com/h20195/V2/GetPDF.aspx/5981-9356EN.pdf>

HPE Installation and Startup Service

Provides for the installation and startup of Hewlett Packard Enterprise technology including BladeSystems, C-Class enclosure, HPE ProLiant c-Class and Integrity server blades, storage blades, SAN switch blades, HPE Virtual Connect modules (Ethernet and Fibre Channel), Ethernet network interconnects, and InfiniBand, as well as the installation of one supported operating system type (Windows® or Linux).

HPE Technology Services Support Credits

Service and Support

Offer flexible services and technical skills to meet your changing IT demands. With a menu of service that is tailored to suit your needs, you get additional resources and specialist skills to help you maintain peak performance of your IT. Offered as annual credits, you can plan your budgets while proactively responding to your dynamic business.

HPE Education Services

Keep your IT staff trained making sure they have the right skills to deliver on your business outcomes. Book on a class today and learn how to get the most from your technology investment. <http://www.hpe.com/ww/learn>

HPE Support Center The HPE Support Center is a personalized online support portal with access to information, tools and experts to support Hewlett Packard Enterprise business products. Submit support cases online, chat with Hewlett Packard Enterprise experts, access support resources or collaborate with peers.

Learn more <http://www.hpe.com/support/hpesc>

The Hewlett Packard Enterprise Support Center Mobile App* allows you to resolve issues yourself or quickly connect to an agent for live support. Now, you can get access to personalized IT support anywhere, anytime.

HPE Insight Remote Support and HPE Support Center are available at no additional cost with a Hewlett Packard Enterprise warranty, HPE Support Service or Hewlett Packard Enterprise contractual support agreement.

*HPE Support Center Mobile App is subject to local availability.

For more information: <http://www.hpe.com/services>

Pre-configured Models

	Entry Models			
[SKU Number]	830011-B21	833870-B21	777424-B21	777425-B21
Model Name	HPE ProLiant DL120 Gen9 E5-2603v4 8GB-R B140i 4LFF SATA 550W PS Entry Server	HPE ProLiant DL120 Gen9 E5-2630v4 8GB-R H240 8SFF 550W PS Entry Server	HP ProLiant DL120 Gen9 E5-2603v3 4GB-R B140i 4LFF 550W PS Entry Server	HP ProLiant DL120 Gen9 E5-2630v3 8GB-R H240 8SFF 550W PS Entry Server
Processor	Intel® Xeon® E5-2603v4	Intel® Xeon® E5-2630v4	Intel® Xeon® E5-2603v3	Intel® Xeon® E5-2630v3
Number of Processors	One			
Memory	8GB (1x8GB Registered DIMMs, 2400 MHz)		4GB (1x4GB Registered DIMMs, 2133 MHz)	8GB (1x8GB Registered DIMMs, 2133 MHz)
Network Controller	HPE Embedded Dual Port 361i Adapter Network Interface			
Storage Controller	HPE Dynamic Smart Array B140i	HPE H240 Smart Host Bus Adapter	HPE Dynamic Smart Array B140i	HPE H240 Smart Host Bus Adapter
Hard Drive	None ship standard			
Internal Storage	4 LFF HDD Bays	8 SFF HDD Bays	4 LFF HDD Bays	8 SFF HDD Bays
Optical Drive Bay	1; (Optional: DVD-ROM, DVD-RW)			
PCI-Express Slots	1 PCIe LP standard/up to 3 PCIe slots (optional)			
Power Supply	(1) HPE 550W FIO Power Supply			
Fans	3 hot swap fans, non-redundant			
Management	iLO Management (standard), Intelligent Provisioning (standard), iLO Essentials (optional), iLO Scale-out (optional only for DL), iLO Advanced (optional)			
Form Factor	Rack (1U), HPE Easy Install Rails			
Warranty	Server Warranty includes 3-Year Parts, 1-Year Labor, 1-Year Onsite support with next business day response.			

Country Code Key	xx1 = B21	Worldwide
	xx1 = 291	Japan
	xx1 = AA1	PRC

Configuration Information - Factory Integrated Models

This section lists some of the steps required to configure a Factory Integrated Model. To ensure only valid configurations are ordered, Hewlett Packard Enterprise recommends the use of an HPE approved configurator. Contact your local sales representative for information on configurable product offerings and requirements.

1. Factory Integrated Models must start with a CTO Server.
2. FIO indicates that this option is only available as a factory installable option.
3. All Factory Integrated Models will be populated with sufficient hard drive blanks based on the number of initial hard drives ordered with the server.
4. Some options may not be integrated at the factory. Contact your local sales representative for additional information.

Step 1: Base Configuration (choose one of the following configurable models)

[Chassis]	HP ProLiant DL120 Gen9 8SFF Configure-to-order Server	HP ProLiant DL120 Gen9 4LFF Configure-to-order Server	HP ProLiant DL120 Gen9 Non-hot Plug 4LFF Configure-to-order Server
SKU Number	777426-B21	777427-B21	777428-B21
Processor	1	1	1
DIMM Slots	8 DIMM slots for RDIMM, LRDIMM DDR4 Memory		
Storage Controller	HPE Dynamic Smart Array B140i		
PCIe	1 PCIe LP standard/up to 3 PCIe slots (optional)		
Drive Cage	8SFF Hot Plug	4LFF Hot Plug	4LFF Non Hot Plug
Network Controller	HPE Embedded Dual Port 361i Adapter Network Interface		
Fans	3 hot swap fans, non-redundant		
Management	iLO Management (standard), Intelligent Provisioning (standard)		
USB	1 front, 1 internal, 2 rear		
Ears	HPE Thumbscrew Ears		

Step 2: Choose Required Options (only one of the following from each list unless otherwise noted)

HPE Processors

Select one processor from Core Options-Processor section below,

- Select one xxxxx-L21
- Only one processor supported.
- DDR4 speed is the maximum memory speed of the processor. Actual memory speed may depend on the quantity and type of DIMMs installed.

For the Intel® C600 Chipset E5-2600 Series, the letter preceding the model number indicates the Product Line (E3, E5, E7); 2600x v#, 2 = number of CPUs in a Node, 6 is socket/segment designation, 00 = Processor SKU, x = L for low power SKUs and v# (not yet designated) = version number.

HPE Memory

Select one or more memory from Core Options-Memory section below,

- UDIMM, RDIMM, and LRDIMM are all distinct memory technologies and cannot be mixed within a server.
- HPE memory options from previous generation servers are not qualified or warranted with Hewlett Packard Enterprise Gen9 systems. HPE SmartMemory is required to realize the memory performance improvements and enhanced functionality listed in this document for Gen9.

Configuration Information - Factory Integrated Models

- If only one processor is installed, only half of the total DIMM slots are available. When populating with two processors all DIMM slots are available.
- Depending on the memory configuration and processor model, the memory speed may run at 2400MHz, 2133MHz, 1866MHz or 1600MHz. Please see Memory Population Table or the Online Memory Configuration Tool at: <http://www.hpe.com/go/ddr4config>.

HPE Power Supplies

Select one or more power supplies from Core Options-Power Supplies section below:

- Prior to selecting a power supply option, it is highly recommended that you review your server configuration in the HPE Power Advisor tool to determine the right size power supply for your server configuration. The HPE Power Advisor is located at: <http://www.hpe.com/info/hppoweradvisor>.
- By RPS Enablement Kit power options, mixing of power supplies in the same RPS enablement kit is not supported. All power supplies must be of the same input voltage, output rating, and efficiency rating. If non-matching power supplies are installed, you may receive an error message and/or experience operational issues with your server.

Step 3: Choose Additional Factory Integratable Options

HPE Unique Options

Select one or more Unique options from Core Options section below.

- This section may contain FIO options, please see the Unique options section below.
- FIO indicates that this option is only available as a factory installable option.

HPE Drives

Select one or more drives from Core Options-HPE Drives section below:

- The components of a storage subsystem (e.g. the drive, the HBA/controller, firmware, and the server backplane) should operate at the same data transfer rate or the system bandwidth will be negotiated down to an acceptable level for all components.
- Hard drives have either a one year or three year warranty; refer to the specific hard drive QuickSpecs for details.
- The HPE ProLiant Gen9 Smart Storage solutions are equipped with re-designed Small Form Factor (SFF 2.5 in) and Large Form Factor (LFF 3.5 in) hot plug carriers for HPE Qualified Hard Drives and Solid State Drives. These new carriers provide status and activity indicators as well as caution indicators for "Do Not Remove."

HPE FlexibleLOM

Select a FlexibleLOM from Core Options-Networking section below,

- Only one FlexibleLOM can be added to the server. These options are upgradeable and can be changed from the original configuration after the server is shipped.
- For 10Gb adapters, a minimum of two Gigabytes (2 GB) of server memory is required per each adapter.
- Please see the QuickSpecs for Technical Specifications and additional information: <http://www.hpe.com/go/ProLiantNICs>.

HPE Networking

Select a standup NIC adapter from Core Options-Networking section below,

- Please see the QuickSpecs for Technical Specifications and additional information: <http://www.hpe.com/go/ProLiantNICs>.
- These options are upgradeable and can be changed from the original configuration after the server is shipped.

Configuration Information - Factory Integrated Models

- For 10Gb adapters, a minimum of two Gigabytes (2 GB) of server memory is required per each adapter.

HPE Storage Controllers

Select one or more Storage options from Additional Options section below.

- The embedded B140i controller will operate in UEFI only mode. For legacy support an additional controller will be needed, and for CTO orders please also select the Legacy mode settings part, 758959-B22.
- This section may contain FIO options, please see HPE Storage Controllers section below.
- FIO indicates that this option is only available as a factory installable option.

HPE I/O Expansion Options

Select one or more Riser Kit options from Core Options section below.

- This section may contain FIO options, please see HPE I/O Expansion Options section below.
- FIO indicates that this option is only available as a factory installable option.

HPE Cooling Options

Select one or more Fan Kits from Core Options section below.

- This section may contain FIO options, please see HPE Cooling Options section below.
- FIO indicates that this option is only available as a factory installable option.

HPE Rail Kits

Select one type of rail kit from Additional Options section below.

- Please take a moment to review the installation documentation that comes with the server to help you with the installation of your Gen9 server.
- To assist in the installation of the server into the rack, an optional installation tool is available by contacting your local services representative (p/n 695539-001).
- See Hewlett Packard Enterprise Rack Options in Additional Options section of this QuickSpecs for more rack kit choices.

CAUTION: Hewlett Packard Enterprise recommends that a minimum of two people are required for all Rack Server installations. Please refer to your installation instructions for proper tools and number of people to use for any installation.

Core Options

NOTE: Some options may not be integrated at the factory. To ensure only valid configurations are ordered, Hewlett Packard Enterprise recommends the use of an HPE approved configurator. Contact your local sales representative for additional information.

HPE Unique Options	HP DL60/120 Gen9 FlexibleLOM Riser Kit	765509-B21
	HP DL60/80/120 Gen9 4LFF Cable FIO Kit	777331-B21
	HP DL120 Gen9 8SFF Smart Array B140i Cable FIO Kit	777415-B21
	HP AHCI-Enable FIO Setting	801845-B21

NOTE: This needs to be selected when Advanced Host Controller Interface mode is required on B140i controller.

HPE Processors	E5-2600v4 series Processors	
	HPE DL120 Gen9 Intel® Xeon® E5-2603v4 (1.7GHz/6-core/15MB/85W) FIO Processor Kit	803119-L21
	HPE DL120 Gen9 Intel® Xeon® E5-2609v4 (1.7GHz/8-core/20MB/85W) FIO Processor Kit	803118-L21
	HPE DL120 Gen9 Intel® Xeon® E5-2630Lv4 (1.8GHz/10-core/25MB/55W) FIO Processor Kit	803121-L21
	HPE DL120 Gen9 Intel® Xeon® E5-2620v4 (2.1GHz/8-core/20MB/85W) FIO Processor Kit	803116-L21
	HPE DL120 Gen9 Intel® Xeon® E5-2623v4 (2.6GHz/4-core/10MB/85W) FIO Processor Kit	803117-L21
	HPE DL120 Gen9 Intel® Xeon® E5-2630v4 (2.2GHz/10-core/25MB/85W) FIO Processor Kit	803115-L21
	HPE DL120 Gen9 Intel® Xeon® E5-2640v4 (2.4GHz/10-core/25MB/90W) FIO Processor Kit	803114-L21
	HPE DL120 Gen9 Intel® Xeon® E5-2650Lv4 (1.7GHz/14-core/35MB/65W) FIO Processor Kit	803120-L21
	HPE DL120 Gen9 Intel® Xeon® E5-2650v4 (2.2GHz/12-core/30MB/105W) FIO Processor Kit	803113-L21
	HPE DL120 Gen9 Intel® Xeon® E5-2660v4 (2.0GHz/14-core/35MB/105W) FIO Processor Kit	803112-L21
	HPE DL120 Gen9 Intel® Xeon® E5-2690v4 (2.6GHz/14-core/35MB/135W) FIO Processor Kit	870694-L21
	HPE DL120 Gen9 Intel® Xeon® E5-2695v4 (2.1GHz/18-core/45MB/120W) FIO Processor Kit	803123-L21
	HPE DL120 Gen9 Intel® Xeon® E5-2698v4 (2.2GHz/20-core/50MB/135W) FIO Processor Kit	803125-L21
	HPE DL120 Gen9 Intel® Xeon® E5-2699v4 (2.2GHz/22-core/55MB/145W) FIO Processor Kit	803127-L21
	E5-2600v3 series Processors	
	HP DL120 Gen9 Intel® Xeon® E5-2603v3 (1.6GHz/6-core/15MB/85W) FIO Processor Kit	764005-L21
	HP DL120 Gen9 Intel® Xeon® E5-2609v3 (1.9GHz/6-core/15MB/85W) FIO Processor Kit	764007-L21
	HP DL120 Gen9 Intel® Xeon® E5-2620v3 (2.4GHz/6-core/15MB/85W) FIO Processor Kit	764009-L21
	HP DL120 Gen9 Intel® Xeon® E5-2630v3 (2.4GHz/8-core/20MB/85W) FIO Processor Kit	764010-L21
	HP DL120 Gen9 Intel® Xeon® E5-2640v3 (2.6GHz/8-core/20MB/90W) FIO Processor Kit	765566-L21

Core Options

HP DL120 Gen9 Intel® Xeon® E5-2630Lv3 (1.8GHz/8-core/20MB/55W) FIO Processor Kit	765568-L21
HP DL120 Gen9 Intel® Xeon® E5-2623v3 (3GHz/4-core/10MB/105W) FIO Processor Kit	779926-L21
HP DL120 Gen9 Intel® Xeon® E5-2650v3 (2.3GHz/10-core/25MB/105W) FIO Processor Kit	764012-L21
HP DL120 Gen9 Intel® Xeon® E5-2660v3 (2.6GHz/10-core/25MB/105W) FIO Processor Kit	764013-L21
HP DL120 Gen9 Intel® Xeon® E5-2650Lv3 (1.8GHz/12-core/30MB/65W) FIO Processor Kit	765567-L21
HP DL120 Gen9 Intel® Xeon® E5-2699v3 (2.3GHz/18-core/45MB/145W) FIO Processor Kit	783972-L21
HP DL120 Gen9 Intel® Xeon® E5-2698v3 (2.3GHz/16-core/40MB/135W) FIO Processor Kit	783973-L21
HP DL120 Gen9 Intel® Xeon® E5-2695v3 (2.3GHz/14-core/35MB/120W) FIO Processor Kit	783974-L21
E5-1600v4 series Processors	
HPE DL120 Gen9 Intel® Xeon® E5-1620v4 (3.5GHz/4-core/10MB/140W) Processor Kit	803133-L21
HPE DL120 Gen9 Intel® Xeon® E5-1650v4 (3.6GHz/6-core/15MB/140W) Processor Kit	803135-L21
E5-1600v3 series Processors	
HP DL120 Gen9 Intel® Xeon® E5-1650v3 (3.5GHz/6-core/15MB/140W) FIO Processor Kit	783968-L21
HP DL120 Gen9 Intel® Xeon® E5-1620v3 (3.5GHz/4-core/10MB/140W) FIO Processor Kit	783969-L21

NOTE: Processor upgrade from E5-2600v3 to E5-2600v4 is supported for processors up to 105W. Please refer to DL120 Gen9 User Guide for more details.

Memory Selection

To streamline the configuration process for HPE ProLiant Gen9 servers and to provide the best product availability, HPE recommends memory from the list located here: <http://www.hpe.com/products/recommend>. Best product availability is limited to US, Canada, and Latin America at this time.

HPE Memory

Registered DIMMs (RDIMMs) for E5-2600v4 Series

HP 8GB (1x8GB) Single Rank x8 DDR4-2400 CAS-17-17-17 Registered Memory Kit	805347-B21
HP 16GB (1x16GB) Single Rank x4 DDR4-2400 CAS-17-17-17 Registered Memory Kit	805349-B21
HPE 16GB (1x16GB) Dual Rank x4 DDR4-2400 CAS-17-17-17 Registered Memory Kit	836220-B21
HP 32GB (1x32GB) Dual Rank x4 DDR4-2400 CAS-17-17-17 Registered Memory Kit	805351-B21
HPE 8GB (1x8GB) Single Rank x8 DDR4-2400 CAS-17-17-17 Registered Standard Memory Kit	851353-B21

Registered DIMMs (RDIMMs) for E5-2600v3 Series

HP 4GB (1x4GB) Single Rank x8 DDR4-2133 CAS-15-15-15 Registered Memory Kit	726717-B21
HP 4GB (1x4GB) Single Rank x8 DDR4-2133 CAS-15-15-15 Registered Standard Memory Kit	803026-B21

Core Options

	HP 8GB (1x8GB) Single Rank x4 DDR4-2133 CAS-15-15-15 Registered Memory Kit	726718-B21
	HP 8GB (1x8GB) Dual Rank x8 DDR4-2133 CAS-15-15-15 Registered Memory Kit	759934-B21
	HP 8GB (1x8GB) Single Rank x4 DDR4-2133 CAS-15-15-15 Registered Standard Memory Kit	803028-B21
	HP 16GB (1x16GB) Dual Rank x4 DDR4-2133 CAS-15-15-15 Registered Memory Kit	726719-B21
	HP 32GB (1x32GB) Dual Rank x4 DDR4-2133 CAS-15-15-15 Registered Memory Kit	728629-B21
	Load Reduced DIMMs (LRDIMMs) for E5-2600v4 Series	
	HPE 32GB (1x32GB) Dual Rank x4 DDR4-2400 CAS-17-17-17 Load Reduced Memory Kit	805353-B21
	Load Reduced DIMMs (LRDIMMs) for E5-2600v3 Series	
	HP 16GB (1x16GB) Dual Rank x4 DDR4-2133 CAS-15-15-15 Load Reduced Memory Kit	726720-B21
	HP 32GB (1x32GB) Quad Rank x4 DDR4-2133 CAS-15-15-15 Load Reduced Memory Kit	726722-B21
<hr/>		
HPE Optical Drives	HP 9.5mm SATA DVD-ROM JackBlack Gen9 Optical Drive	726536-B21
	HP 9.5mm SATA DVD-RW JackBlack G9 Optical Drive	726537-B21
<hr/>		
HPE Drives	SAS Hot Plug SFF (2.5-inch) Enterprise (ENT) Drives	
	HPE 1.8TB SAS 12G Enterprise 10K SFF (2.5in) SC 3yr Wty 512e Digitally Signed Firmware HDD	872481-B21
	HP 1.8TB 12G SAS 10K rpm SFF (2.5-inch) SC Enterprise 512e 3yr Warranty Hard Drive	791034-B21
	HPE 1.2TB SAS 12G Enterprise 10K SFF (2.5in) SC 3yr Wty Digitally Signed Firmware HDD	872479-B21
	HP 1.2TB 12G SAS 10K rpm SFF (2.5-inch) SC Enterprise 3yr Warranty Hard Drive	781518-B21
	HP 1.2TB 6G SAS 10K rpm SFF (2.5-inch) SC Dual Port Enterprise 3yr Warranty Hard Drive	718162-B21
	HPE 900GB SAS 12G Enterprise 15K SFF (2.5in) SC 3yr Wty DS Digitally Signed Firmware HDD	870759-B21
	HPE 900GB SAS 12G Enterprise 15K SFF (2.5in) SC 3yr Wty 512e Digitally Signed Firmware HDD	870765-B21
	HP 900GB 12G SAS 10K rpm SFF (2.5-inch) SC Enterprise 3yr Warranty Hard Drive	785069-B21
	HP 900GB 6G SAS 10K rpm SFF (2.5-inch) SC Enterprise 3yr Warranty Hard Drive	652589-B21
	HPE 600GB SAS 12G Enterprise 15K SFF (2.5in) SC 3yr Wty Digitally Signed Firmware HDD	870757-B21
	HPE 600GB SAS 12G Enterprise 15K SFF (2.5in) SC 3yr Wty 512e Digitally Signed Firmware HDD	870763-B21
	HP 600GB 12G SAS 15K rpm SFF (2.5-inch) SC Enterprise 3yr Warranty Hard Drive	759212-B21
	HPE 600GB SAS 12G Enterprise 10K SFF (2.5in) SC 3yr Wty Digitally Signed Firmware HDD	872477-B21

Core Options

HP 600GB 12G SAS 10K rpm SFF (2.5-inch) SC Enterprise 3yr Warranty Hard Drive	781516-B21
HP 600GB 6G SAS 10K rpm SFF (2.5-inch) SC Enterprise 3yr Warranty Hard Drive	652583-B21
HP 450GB 12G SAS 15K rpm SFF (2.5-inch) SC Enterprise 3yr Warranty Hard Drive	759210-B21
HP 450GB 6G SAS 10K rpm SFF (2.5-inch) SC Enterprise 3yr Warranty Hard Drive	652572-B21
HPE 300GB SAS 12G Enterprise 15K SFF (2.5in) SC 3yr Wty Digitally Signed Firmware HDD	870753-B21
HPE 300GB SAS 12G Enterprise 10K SFF (2.5in) SC 3yr Wty Digitally Signed Firmware HDD	872475-B21
HP 300GB 12G SAS 15K rpm SFF (2.5-inch) SC Enterprise 3yr Warranty Hard Drive	759208-B21
HP 300GB 12G SAS 10K rpm SFF (2.5-inch) SC Enterprise 3yr Warranty Hard Drive	785067-B21
HP 300GB 6G SAS 10K rpm SFF (2.5-inch) SC Enterprise 3yr Warranty Hard Drive	652564-B21
HP 146GB 6G SAS 15K rpm SFF (2.5-inch) SC Enterprise 3yr Warranty Hard Drive	652605-B21
SAS Hot Plug SFF (2.5-inch) Midline (MDL) Drives	
HPE 1TB 12G SAS 7.2K rpm SFF (2.5in) SC Midline 1yr Warranty Hard Drive	832514-B21
SAS Hot Plug LFF (3.5-inch) Enterprise (ENT) Drives	
HP 600GB 12G SAS 15K rpm LFF (3.5-inch) SC Converter Enterprise 3yr Warranty Hard Drive	765424-B21
HP 450GB 12G SAS 15K rpm LFF (3.5-inch) SC Converter Enterprise 3yr Warranty Hard Drive	737394-B21
HP 300GB 12G SAS 15K rpm LFF (3.5-inch) SC Converter Enterprise 3yr Warranty Hard Drive	737261-B21
SAS Hot Plug LFF (3.5-inch) Midline (MDL) Drives	
HPE 10TB 12G SAS 7.2K rpm LFF (3.5in) 512e SC Midline 1yr Warranty Hard Drive	857644-B21
HPE 8TB 12G SAS 7.2K rpm LFF (3.5in) 512e SC Midline 1yr Warranty Hard Drive	819201-B21
HPE 8TB 12G SAS 7.2K rpm LFF (3.5in) 512e SC Midline 1yr Warranty Hard Drive	861590-B21
HP 6TB 12G SAS 7.2K rpm LFF (3.5-inch) SC Midline 512e 1yr Warranty Hard Drive	765259-B21
HP 6TB 6G SAS 7.2K rpm LFF (3.5-inch) SC Midline 1yr Warranty Hard Drive	761477-B21
HPE 6TB 12G SAS 7.2K rpm LFF (3.5in) SC Midline 1yr Warranty Hard Drive	846514-B21
HPE 4TB SAS 12G Midline 7.2K LFF (3.5in) SC 1yr Wty Digitally Signed Firmware HDD	872487-B21
HPE 4TB 12G SAS 7.2K rpm LFF (3.5-inch) SC Midline 1yr Warranty Hard Drive	818367-B21
HP 4TB 12G SAS 7.2K rpm LFF (3.5-inch) SC Midline 512e 1yr Warranty Hard Drive	765257-B21
HPE 3TB 12G SAS 7.2K rpm LFF (3.5in) SC Midline 1yr Warranty Hard Drive	846528-B21
HP 3TB 6G SAS 7.2K rpm LFF (3.5-inch) SC Midline 1yr Warranty Hard Drive	652766-B21
HPE 2TB SAS 12G Midline 7.2K LFF (3.5in) SC 1yr Wty Digitally Signed Firmware HDD	872485-B21
HPE 2TB 12G SAS 7.2K rpm LFF (3.5-inch) SC Midline 1yr Warranty Hard Drive	818365-B21

Core Options

HPE 1TB 12G SAS 7.2K rpm LFF (3.5in) SC Midline 1yr Warranty Hard Drive	846524-B21
HP 1TB 6G SAS 7.2K rpm LFF (3.5-inch) SC Midline 1yr Warranty Hard Drive	652753-B21
SATA Hot Plug SFF (2.5-inch) Midline (MDL) Drives	
HP 1TB 6G SATA 7.2K rpm SFF (2.5-inch) SC Midline 1yr Warranty Hard Drive	655710-B21
SATA Hot Plug LFF (3.5-inch) Midline (MDL) Drives	
HPE 10TB 6G SATA 7.2K rpm LFF (3.5in) 512e SC Midline 1yr Warranty Hard Drive	857648-B21
HPE 8TB 6G SATA 7.2K rpm LFF (3.5in) 512e SC Midline 1yr Warranty Hard Drive	861594-B21
HPE 8TB 6G SATA 7.2K rpm LFF (3.5in) 512e SC Midline 1yr Warranty Hard Drive	819203-B21
HPE 6TB SATA 6G Midline 7.2K LFF (3.5in) SC 1yr Wty 512e Digitally Signed Firmware HDD	861750-B21
HP 6TB 6G SATA 7.2K rpm LFF (3.5-inch) SC Midline 512e 1yr Warranty Hard Drive	765255-B21
HP 6TB 6G SATA 7.2K rpm LFF (3.5-inch) SC Midline 1yr Warranty Hard Drive	753874-B21
HPE 4TB SATA 6G Midline 7.2K LFF (3.5in) SC 1yr Wty Digitally Signed Firmware HDD	872491-B21
HPE 4TB SATA 6G Midline 7.2K LFF (3.5in) SC 1yr Wty 512e Digitally Signed Firmware HDD	861752-B21
HPE 4TB 6G SATA 7.2K rpm LFF (3.5in) SC Midline 1yr Warranty Hard Drive	861678-B21
HP 4TB 6G SATA 7.2K rpm LFF (3.5-inch) SC Midline 512e 1yr Warranty Hard Drive	765253-B21
HP 4TB 6G SATA 7.2k rpm LFF (3.5-inch) SC Midline 1yr Warranty Hard Drive	693687-B21
HPE 3TB 6G SATA 7.2K rpm LFF (3.5in) SC Midline 1yr Warranty Hard Drive	861693-B21
HP 3TB 6G SATA 7.2K rpm LFF (3.5-inch) SC Midline 1yr Warranty Hard Drive	628061-B21
HPE 2TB SATA 6G Midline 7.2K LFF (3.5in) SC 1yr Wty Digitally Signed Firmware HDD	872489-B21
HPE 2TB 6G SATA 7.2K rpm LFF (3.5in) SC Midline 1yr Warranty Hard Drive	861676-B21
HP 2TB 6G SATA 7.2K rpm LFF (3.5-inch) SC Midline 1yr Warranty Hard Drive	658079-B21
HPE 1TB 6G SATA 7.2K rpm LFF (3.5in) SC Midline 1yr Warranty Hard Drive	861691-B21
HP 1TB 6G SATA 7.2K rpm LFF (3.5-inch) SC Midline 1yr Warranty Hard Drive	657750-B21
HP 500GB 6G SATA 7.2K rpm LFF (3.5-inch) SC Midline 1yr Warranty Hard Drive	658071-B21
HPE 6TB 6G SATA 7.2K rpm LFF (3.5in) SC Midline 1yr Warranty Hard Drive	846510-B21
SATA Non-Hot Plug LFF (3.5-inch) Midline (MDL) Drives	
HP 4TB 6G SATA 7.2K rpm LFF (3.5in) Non-hot Plug Standard 1yr Warranty Hard Drive	801888-B21
HP 3TB 6G SATA 7.2K rpm LFF (3.5-inch) Non-hot plug Midline 1yr Warranty Hard Drive	628065-B21
HP 3TB 6G SATA 7.2K rpm LFF (3.5in) Non-hot Plug Standard 1yr Warranty Hard Drive	801886-B21
HP 2TB 6G SATA 7.2K rpm LFF (3.5-inch) Non-hot plug Midline 1yr Warranty Hard Drive	659339-B21
HP 2TB 6G SATA 7.2K rpm LFF (3.5in) Non-hot Plug Standard 1yr Warranty Hard Drive	801884-B21
HP 1TB 6G SATA 7.2K rpm LFF (3.5-inch) Non-hot plug Midline 1yr Warranty Hard Drive	659337-B21
HP 1TB 6G SATA 7.2K rpm LFF (3.5in) Non-hot Plug Standard 1yr Warranty Hard Drive	801882-B21

Core Options

HP 500GB 6G SATA 7.2K rpm LFF (3.5-inch) Non-hot plug Midline 1yr Warranty Hard Drive 659341-B21

6G SATA Hot Plug SFF (2.5-inch) SC 512e Drives

HP 2TB 6G SATA 7.2K rpm SFF (2.5-inch) SC 512e 1yr Warranty Hard Drive 765455-B21

HP 1TB 6G SATA 7.2K rpm SFF (2.5-inch) SC 512e 1yr Warranty Hard Drive 765453-B21

6G SATA Hot Plug LFF (3.5-inch) SC 512e Performance Drives

HP 6TB 6G SATA 7.2K rpm LFF (3.5-inch) SC 512e Performance 1yr Warranty Hard Drive 793667-B21

HP 4TB 6G SATA 7.2K rpm LFF (3.5-inch) SC 512e Performance 1yr Warranty Hard Drives 793665-B21

HP 6TB 6G SATA 7.2K rpm LFF (3.5-inch) SC 512e Helium 1yr Warranty Hard Drive 793683-B21

HP 8TB 6G SATA 7.2K rpm LFF (3.5-inch) SC 512e Helium 1yr Warranty Hard Drive 793695-B21

SSD Selection

To streamline the configuration process for HPE ProLiant Gen9 servers and to provide the best product availability, HPE recommends SSDs from the list located here: <https://ssd.hpe.com/recommend>.

Best product availability is limited to US, Canada, and Latin America at this time.

To further assist with configuration, HPE also offers an SSD Selector Tool located here: <http://ssd.hpe.com>.

12G SAS Hot Plug SFF (2.5-inch) Enterprise Value Solid State Drives

HP 1.6TB 12G SAS Value Endurance SFF 2.5-in SC Enterprise Value 3yr Wty Solid State Drive 762263-B21

HP 800GB 12G SAS Value Endurance SFF 2.5-in SC Enterprise Value 3yr Wty Solid State Drive 762261-B21

12G SAS Hot Plug LFF (3.5-inch) Enterprise Value Solid State Drives

HP 1.6TB 12G SAS Value Endurance LFF 3.5-in SC Enterprise Value 3yr Wty Solid State Drive 762272-B21

HP 800GB 12G SAS Value Endurance LFF 3.5-in SC Enterprise Value 3yr Wty Solid State Drive 762270-B21

12G SAS Value Endurance Hot Plug SFF (2.5-inch) Enterprise Value Solid State

HPE 3.84TB 12G SAS Read Intensive-3 SFF 2.5-in SC 3yr Wty Solid State Drive 816576-B21

12G SAS Hot Plug SFF (2.5-inch) MU-3 SC SSD

HPE 3.2TB 12G SAS Mixed Use-3 SFF 2.5-in SC 3yr Wty Solid State Drive 822567-B21

HPE 800GB 12G SAS Mixed Use-1 SFF (2.5in) SC 3yr Wty Solid State Drive 846434-B21

HPE 1.6TB 12G SAS Mixed Use-1 SFF (2.5in) SC 3yr Wty Solid State Drive 846436-B21

12G SAS Hot Plug SFF (2.5-inch) SC Midline 512e Drives

HP 2TB 12G SAS 7.2K rpm SFF (2.5-inch) SC 512e 1yr Warranty Hard Drive 765466-B21

HP 1TB 12G SAS 7.2K rpm SFF (2.5-inch) SC 512e 1yr Warranty Hard Drive 765464-B21

HP 600GB 12G SAS 15K rpm SFF (2.5-inch) SC 512e Enterprise 3yr Warranty Hard Drive 748387-B21

12G SAS Hot Plug LFF (3.5-inch) SC 512e Performance Drives

HPE 6TB SAS 12G Midline 7.2K LFF (3.5in) SC 1yr Wty 512e Digitally Signed Firmware HDD 861754-B21

HP 6TB 12G SAS 7.2K rpm LFF (3.5-inch) SC 512e Performance 1yr Warranty Hard Drive 793671-B21

HPE 4TB SAS 12G Midline 7.2K LFF (3.5in) SC 1yr Wty 512e Digitally Signed Firmware HDD 861756-B21

Core Options

HP 4TB 12G SAS 7.2K rpm LFF (3.5-inch) SC 512e Performance 1yr Warranty Hard Drive	793669-B21
HP 8TB 12G SAS 7.2K rpm LFF (3.5-inch) SC 512e Helium 1yr Warranty Hard Drive	793703-B21
HP 6TB 12G SAS 7.2K rpm LFF (3.5-inch) SC 512e Helium 1yr Warranty Hard Drive	793699-B21
12G SAS Hot Plug SFF (2.5-inch) SC Read/Write Intensive Solid State Drives	
HP 1.92TB 12G SAS Read Intensive SFF 2.5-in SC 3yr Wty Solid State Drive	802891-B21
HP 800GB 12G SAS Write Intensive SFF 2.5-in SC 3yr Wty Solid State Drive	802586-B21
HP 400GB 12G SAS Write Intensive SFF 2.5-in SC 3yr Wty Solid State Drive	802582-B21
HP 200GB 12G SAS Write Intensive SFF 2.5-in SC 3yr Wty Solid State Drive	802578-B21
HPE 800GB 12G SAS Write Intensive-1 SFF (2.5in) SC 3yr Wty Solid State Drive	846430-B21
HPE 1.6TB 12G SAS Write Intensive-1 SFF (2.5in) SC 3yr Wty Solid State Drive	846432-B21
6G SATA Hot Plug SFF (2.5-inch) Enterprise Mainstream Solid State Drives	
HP 200GB 6G SATA Write Intensive-2 SFF 2.5-in SC 3yr Wty Solid State Drive	804639-B21
HP 400GB 6G SATA Write Intensive-2 SFF 2.5-in SC 3yr Wty Solid State Drive	804665-B21
HPE 400GB SATA 6G WI SFF SC DS SSD	872355-B21
HP 800GB 6G SATA Write Intensive-2 SFF 2.5-in SC 3yr Wty Solid State Drive	804671-B21
HPE 800GB SATA 6G WI SFF SC DS SSD	872359-B21
HP 1.2TB 6G SATA Write Intensive-2 SFF 2.5-in SC 3yr Wty Solid State Drive	804677-B21
HPE 1.6TB SATA 6G WI SFF SC DS SSD	872363-B21
6G SATA Hot Plug SFF Value Endurance (2.5-inch) Enterprise Value M1 Solid State Drives	
HP 800GB 6G SATA Value Endurance SFF 2.5-in SC Enterprise Value 3yr Wty M1 Solid State Drive	764929-B21
HP 480GB 6G SATA Value Endurance SFF 2.5-in SC Enterprise Value 3yr Wty M1 Solid State Drive	764927-B21
HP 240GB 6G SATA Value Endurance SFF 2.5-in SC Enterprise Value 3yr Wty M1 Solid State Drive	764925-B21
HP 120GB 6G SATA Value Endurance SFF 2.5-in SC Enterprise Value 3yr Wty M1 Solid State Drive	764923-B21
HPE 1.92TB SATA 6G Mixed Use SFF (2.5in) SC 3yr Wty Digitally Signed Firmware SSD	872352-B21
HPE 960GB SATA 6G Mixed Use SFF (2.5in) SC 3yr Wty Digitally Signed Firmware SSD	872348-B21
HPE 480GB SATA 6G Mixed Use SFF (2.5in) SC 3yr Wty Digitally Signed Firmware SSD	872344-B21
HP 200GB 6G SATA Mixed Use-2 SFF 2.5-in SC 3yr Wty Solid State Drive	804613-B21
HP 800GB 6G SATA Mixed Use-2 SFF 2.5-in SC 3yr Wty Solid State Drive	804625-B21
HP 1.6TB 6G SATA Mixed Use-2 SFF 2.5-in SC 3yr Wty Solid State Drive	804631-B21
HP 480GB 6G SATA Mixed Use-2 SFF 2.5-in SC 3yr Wty Solid State Drive	832414-B21
6G SATA Hot Plug LFF (3.5-inch) Enterprise Mainstream Solid State Drives	
HP 200GB 6G SATA Write Intensive-2 LFF 3.5-in SCC 3yr Wty Solid State Drive	804642-B21
HPE 400GB SATA 6G WI LFF SCC DS SSD	872357-B21
HP 400GB 6G SATA Write Intensive-2 LFF 3.5-in SCC 3yr Wty Solid State Drive	804668-B21
HPE 800GB SATA 6G WI LFF SCC DS SSD	872361-B21
HP 800GB 6G SATA Write Intensive-2 LFF 3.5-in SCC 3yr Wty Solid State Drive	804674-B21
HP 1.2TB 6G SATA Write Intensive-2 LFF 3.5-in SCC 3yr Wty Solid State Drive	804680-B21

Core Options

HPE 1.6TB SATA 6G WI LFF SCC DS SSD	872365-B21
6G SATA Hot Plug LFF Value Endurance (3.5-inch) Converter Enterprise Value M1 Solid State Drives	
HPE 960GB SATA 6G Mixed Use LFF (3.5in) SCC 3yr Wty Digitally Signed Firmware SSD	872350-B21
HPE 480GB SATA 6G Mixed Use LFF (3.5in) SCC 3yr Wty Digitally Signed Firmware SSD	872346-B21
HP 200GB 6G SATA Mixed Use-2 LFF 3.5-in SCC 3yr Wty Solid State Drive	804616-B21
HP 800GB 6G SATA Mixed Use-2 LFF 3.5-in SCC 3yr Wty Solid State Drive	804628-B21
HP 1.6TB 6G SATA Mixed Use-2 LFF 3.5-in SCC 3yr Wty Solid State Drive	804634-B21
HP 480GB 6G SATA Mixed Use-2 LFF 3.5-in SCC 3yr Wty Solid State Drive	832417-B21
6G SATA Hot Plug SFF (2.5-inch) SC Read Intensive Solid State Drives	
HP 80GB 6G SATA Read Intensive-2 SFF 2.5-in SC 3yr Wty Solid State Drive	804575-B21
HP 120GB 6G SATA Read Intensive-2 SFF 2.5-in SC 3yr Wty Solid State Drive	804581-B21
HP 240GB 6G SATA Read Intensive-2 SFF 2.5-in SC 3yr Wty Solid State Drive	804587-B21
HP 480GB 6G SATA Read Intensive-2 SFF 2.5-in SC 3yr Wty Solid State Drive	804593-B21
HP 800GB 6G SATA Read Intensive-2 SFF 2.5-in SC 3yr Wty Solid State Drive	804599-B21
HP 1.6TB 6G SATA Read Intensive-2 SFF 2.5-in SC 3yr Wty Solid State Drive	804605-B21
HPE 150GB SATA 6G Read Intensive SFF (2.5in) SC 3yr Wty Digitally Signed Firmware SSD	869374-B21
HPE 240GB SATA 6G Read Intensive SFF (2.5in) SC 3yr Wty Digitally Signed Firmware SSD	869376-B21
HPE 480GB SATA 6G Read Intensive SFF (2.5in) SC 3yr Wty Digitally Signed Firmware SSD	869378-B21
HPE 960GB SATA 6G Read Intensive SFF (2.5in) SC 3yr Wty Digitally Signed Firmware SSD	869384-B21
HPE 1.6TB SATA 6G Read Intensive SFF (2.5in) SC 3yr Wty Digitally Signed Firmware SSD	869386-B21
HPE 960GB 6G SATA Read Intensive SFF (2.5in) SC 1yr Warranty Solid State Drive	871768-B21
HPE 1.92TB 6G SATA Read Intensive SFF (2.5in) SC 1yr Warranty Solid State Drive	871770-B21
6G SATA Hot Plug MU-3 SFF (2.5-inch) SC Solid State Drives	
HP 1.92TB 6G SATA Mixed Use-3 SFF 2.5-in SC 3yr Wty Solid State Drive	817011-B21
HP 960GB 6G SATA Mixed Use-3 SFF 2.5-in SC 3yr Wty Solid State Drive	816995-B21
HP 480GB 6G SATA Mixed Use-3 SFF 2.5-in SC 3yr Wty Solid State Drive	816985-B21
6G SATA Hot Plug RI-3 SFF (2.5-inch) SC Solid State Drives	
HP 3.84TB 6G SATA Read Intensive-3 SFF 2.5-in SC 3yr Wty Solid State Drive	816929-B21
6G SATA Hot Plug LFF (3.5-inch) SC Read Intensive Solid State Drives	
HP 80GB 6G SATA Read Intensive-2 LFF 3.5-in SCC 3yr Wty Solid State Drive	804578-B21
HP 120GB 6G SATA Read Intensive-2 LFF 3.5-in SCC 3yr Wty Solid State Drive	804584-B21
HP 240GB 6G SATA Read Intensive-2 LFF 3.5-in SCC 3yr Wty Solid State Drive	804590-B21
HP 480GB 6G SATA Read Intensive-2 LFF 3.5-in SCC 3yr Wty Solid State Drive	804596-B21
HP 800GB 6G SATA Read Intensive-2 LFF 3.5-in SCC 3yr Wty Solid State Drive	804602-B21
HP 1.6TB 6G SATA Read Intensive-2 LFF 3.5-in SCC 3yr Wty Solid State Drive	804608-B21
HPE 480GB SATA 6G Read Intensive LFF (3.5in) SCC 3yr Wty Digitally Signed Firmware SSD	869380-B21
HPE 1.6TB SATA 6G Read Intensive LFF (3.5in) SCC 3yr Wty Digitally Signed Firmware SSD	869388-B21

Core Options

6G SATA Hot Plug LFF (3.5-inch) RI-3 SCC SSD

HP 3.84TB 6G SATA Read Intensive-3 LFF 3.5-in SC Converter 3yr Wty Solid State Drive 816933-B21

6G SATA Hot Plug LFF (3.5-inch) MU-3 SCC SSD

HP 960GB 6G SATA Mixed Use-3 LFF 3.5-in SC Converter 3yr Wty Solid State Drive 816999-B21

HP 480GB 6G SATA Mixed Use-3 LFF 3.5-in SC Converter 3yr Wty Solid State Drive 816989-B21

M.2 SSD

HP Dual 120GB Value Endurance Solid State M.2 Enablement Kit for ProLiant ML/DL Servers 777894-B21

HP 120GB Value Endurance Solid State M.2 Enablement Kit for ProLiant ML/DL Servers 788028-B21

HP DL60/120 Gen9 M.2 Cable Kit 805283-B21

NOTE: M.2 drives go in PCIe slot and use B140i SATA controller.

NOTE: 805283-B21 cable kit is a mandatory option required to support M.2 SSDs.

Hard Drive Blank Kits

HP Large Form Factor Hard Drive Blank Kit 666986-B21

HP Small Form Factor Hard Drive Blank Kit 666987-B21

HPE Networking

1 Gigabit Ethernet adapters

HP Ethernet 1Gb 4-port 331T Adapter 647594-B21

HP Ethernet 1Gb 4-port 366T Adapter 811546-B21

HP Ethernet 1Gb 2-port 361T Adapter 652497-B21

HP Ethernet 1Gb 2-port 332T Adapter 615732-B21

10 Gigabit Ethernet adapters

HP Ethernet 10Gb 2-port 530T Adapter 656596-B21

HP Ethernet 10Gb 2-port 561T Adapter 716591-B21

HP Ethernet 10Gb 2-port 530SFP Adapter 652503-B21

HP Ethernet 10Gb 2-port 546SFP+ Adapter 779793-B21

HP Ethernet 10Gb 2-port 546FLR-SFP+ Adapter 779799-B21

HP Ethernet 10Gb 2-port 560SFP+ Adapter 665249-B21

HPE Ethernet 10Gb 2-port 562SFP+ Adapter 727055-B21

NOTE: A minimum of two Gigabytes (2GB) of server memory is required per each adapter.

NOTE: Direct Attach Cable (DAC) for copper environments or fiber transceivers and cables for fiber-optic environments must be purchased separately. See cables/options below.

FlexibleLOM Adapters

HP FlexFabric 10Gb 2-port 533FLR-T Adapter 700759-B21

HP FlexFabric 10Gb 2-port 534FLR-SFP+ Adapter 700751-B21

HP Ethernet 10Gb 2-port 560FLR-SFP+ Adapter 665243-B21

HP Ethernet 10Gb 2-port 561FLR-T Adapter 700699-B21

HP Ethernet 1Gb 4-port 331FLR Adapter 629135-B22

HP Ethernet 1Gb 4-port 366FLR Adapter 665240-B21

HPE Ethernet 10Gb 2-port 562FLR-SFP+ Adapter 727054-B21

HPE FlexFabric 10Gb 4-port 536FLR-T Adapter 764302-B21

NOTE: FlexibleLOM riser kit (P/N: 765509-B21) is required when any FlexibleLOM is selected.

Core Options

NOTE: Please see the QuickSpecs for Technical Specifications and additional information: <http://www.hp.com/go/ProLiantNICs>

25 Gigabit Ethernet adapters

HPE Ethernet 4x25Gb 1-port 620QSFP28 Adapter 817762-B21

HPE InfiniBand HP InfiniBand FDR 2-port 545QSFP Adapter 702211-B21
 HP InfiniBand FDR/Ethernet 10Gb/40Gb 2-port 544+QSFP Adapter 764284-B21

NOTE: Please see the [HPE InfiniBand Options for HPE ProLiant and Integrity Servers QuickSpecs](#) for additional information.

HPE I/O Expansion Options HP DL60/120 Gen9 CPU1 Riser Kit 765508-B21
 HP DL60/120 Gen9 FlexibleLOM Riser Kit 765509-B21
 HP DL60/120 Gen9 Full Height Half Length PCIe Riser Kit 765510-B21
 HP DL120 Gen9 GPU Enablement Kit 779611-B21

HPE Power Supplies **HPE Entry-Level Power Supplies**

HPE 550W Standard FIO Power Supply Kit 730941-B21
NOTE: This is a Factory Installed Option (FIO) only.
NOTE: Supports Silver-level efficiency (89%) with a standard C14 inlet connector. No support for HPE Power Discovery Services. Only compatible with select HPE ProLiant Gen9 Essential servers.

HPE 900W Standard AC 240VDC Power Input Module FIO Kit 828734-B21
NOTE: This is a Factory Installed Option (FIO) only.
NOTE: RPS Backplane is mandatory to be chosen with this power input module.

HPE 900W Standard AC 240VDC RPS Power Backplane FIO Kit 828735-B21
NOTE: This is a Factory Installed Option (FIO) only.
NOTE: This RPS backplane is mandatory to be chosen along with 900W RPS input module.

HPE 900W Standard AC 240VDC Power Input Module 775595-B21
NOTE: This part number can only be bought standalone and is for field integration only.
NOTE: RPS Backplane is mandatorily needed with this power input module.

HPE 900W Standard AC 240VDC RPS Power Backplane 814835-B21
NOTE: This part number can only be bought standalone and is for field integration only.
NOTE: This RPS backplane is mandatorily needed with 900W RPS input module.

HPE 900W Standard AC 240VDC Redundant Power Supply Kit 820792-B21
NOTE: This Redundant Power supply kit includes 2 power supply input module and 1 backplane kit.
NOTE: This part number is both factory installed option and filed integrable option.
NOTE: This Power supply supports both 100-240V AC and 240V DC.
NOTE: Supports Gold-level efficiency (92%) with a standard C14 inlet connector. No support for HPE Power Discovery Services. Only compatible with select HPE ProLiant Gen9 Essential servers.
NOTE: HPE 900W Gold (Redundant) AC 240VDC Power Input Module (775595-B21/ 828734-B21) must be used with Power Backplane (814835-B21 / 828735-B21).

Core Options

NOTE: Each Redundant Power Supply Backplane can support up to two (2) power input modules.

NOTE: Redundant AC Power Input Modules do not share power. Redundant AC Power Input Module #1 is the primary AC Power Input Module. Redundant AC Power Input Module #2 is the backup AC Power Input Module.

NOTE: Mixing of power supplies in the same server is not supported. All power supplies must be of the same input voltage, output rating, and efficiency rating. If non-matching power supplies are installed, you may receive an error message and/or experience operational issues with your server.

NOTE: Prior to selecting a power supply option, it is highly recommended that you review your server configuration in the HPE Power Advisor tool to determine the right size power supply for your server configuration. The HPE Power Advisor is located at: <http://www.hpe.com/info/hppoweradvisor>

HPE Computation and Graphics Accelerators

HP NVIDIA Quadro K2200 Graphics Accelerator

J0G89A

NOTE: 1 GPU supported per Server.

NOTE: Must select 900W power supply when graphics card is selected.

NOTE: 1 GPU Enablement kit 779611-B21 must be selected when adding a GPU option.

NOTE: Only the above listed Graphics cards are HPE standard supported options in this server.

NOTE: The NVIDIA Quadro modules are supported only on 64-bit versions of Linux and Windows operating systems as well as on Virtual Machine client operating systems. The supported bare metal operating systems are RHEL6, SLES 11 and Windows Server 2012 R2.

NOTE: Please see the HPE Power Advisor for estimated power consumption of your individual system configuration prior to installing GPUs. The HPE Power Advisor is located at: <http://www.hpe.com/info/hppoweradvisor>

HPE Cooling Options

HP DL60/120 Gen9 Redundant Fan Kit

765513-B21

NOTE: Includes two fans and is required to move from non-redundant to redundant configurations.

NOTE: Fan redundancy is not supported for processors exceeding 105W.

Additional Options

NOTE: Some options may not be integrated at the factory. To ensure only valid configurations are ordered, Hewlett Packard Enterprise recommends the use of an HPE approved configurator. Contact your local sales representative for additional information.

HPE Insight Software	HPE Insight Control	
	HPE Insight Control including 1yr 24x7 Technical Support and Updates 1-server LTU	C6N27A
	HPE Insight Control including 1yr 24x7 TSU E-LTU	C6N28ABE
	HPE Insight Management Media Kit	C6N31A
	HPE Insight Control including 1yr 24x7 Support ProLiant ML/DL/BL-bundle Single Server FIO LTU	C6N36A
	HPE Insight Control including 1yr 24x7 Support ProLiant ML/DL/BL-bundle FIO E-LTU	C6N36ABE

NOTE: Electronic and Flexible-Quantity licenses can be used to purchase multiple licenses with a single activation key.

NOTE: Customer will receive a license entitlement certificate. The license entitlement certificate must be redeemed online or via fax in order to obtain the license activation key(s). Includes one year of 24x7 HPE Software Technical Support and Update Service.

NOTE: Licenses ship without media. The HPE Insight Control Media Kit can be ordered separately, or can be downloaded at: <http://www.hp.com/go/insightupdates>.

NOTE: For additional license options please see the [HPE Insight Control QuickSpecs](#).

Embedded Management	HPE iLO Advanced	
	HPE iLO Advanced including 1yr 24x7 Technical Support and Updates 1-server LTU	512485-B21
	HPE iLO Advanced including 3yr 24x7 Tech Support and Updates 1-server LTU	BD505A
	HPE iLO Advanced including 1yr 24x7 Technical Support and Updates E-LTU	E6U59ABE
	HPE iLO Advanced including 3yr 24x7 Technical Support and Updates E-LTU	E6U64ABE
	HPE iLO Essentials	
	HPE iLO Essentials including 3yr 24x7 Technical Support and Updates E-LTU	E6U61ABE
	HPE iLO Essentials including 3yr 24x7 Tech Support and Updates 1-server LTU	BD774A
	HPE iLO Essentials including 1yr 24x7 Tech Support and Updates 1-server LTU	BD775A
	HPE iLO Essentials including 1yr 24x7 Technical Support and Updates E-LTU	E6U62ABE
	HPE iLO Scale-out	
	HPE iLO Scale-Out 3yr 24x7 Tech Support and Updates Flexible Quantity LTU	BD776A
	HPE iLO Scale-Out including 3yr 24x7 Tech Support and Updates Tracking LTU	BD777A
	HPE iLO Scale-Out 1yr 24x7 Tech Support and Updates Flexible Quantity LTU	BD778A
	HPE iLO Scale-Out including 1yr 24x7 Tech Support and Updates Flex Qty E-LTU	BD778AAE
	HPE iLO Scale-Out including 1yr 24x7 Tech Support and Updates Tracking LTU	BD779A

HPE Converged Infrastructure Management Software	HPE OneView Advanced (with HPE iLO Advanced)	
	HPE OneView including 3yr 24x7 Support Physical 1-server LTU	E5Y34A
	HPE OneView including 3yr 24x7 Support Flexible Quantity E-LTU	E5Y35AAE
	HPE OneView for ProLiant DL Server including 3yr 24x7 Support FIO Bundle Physical 1-server LTU	E5Y43A
	HPE OneView Advanced (without HPE iLO Advanced)	
	HPE OneView w/o iLO including 3yr 24x7 Support 1-server LTU	P8B24A
	HPE OneView w/o iLO including 3yr 24x7 Support Flexible Quantity E-LTU	P8B26AAE
	HPE OneView w/o iLO including 3yr 24x7 Support 1-server FIO LTU	P8B31A
	HPE OneView Physical Media Kit LTU	E5Y37A

Additional Options

HPE Operations Analytics for HPE OneView LTU	K8G29A
HPE Operations Analytics for HPE OneView E-LTU	K8G29AAE
HPE OneView w/o iLO including 3yr 24x7 Support Track 1-server LTU	P8B25A

NOTE: Full licenses of HPE OneView Advanced also provide the right-to-use HPE Insight Control without additional charge.

NOTE: Server provisioning (via 'HPE Insight Control server provisioning') is licensed as part of HPE OneView Advanced and provides multi-server OS and driver provisioning. Media kit #BD883A can be ordered for a physical copy of this software (USB flash drive).

NOTE: Licenses ship without media. The HPE OneView Media Kit can be ordered separately, or can be downloaded at: <http://www.hp.com/go/oneview>.

NOTE: Electronic and Flexible-Quantity licenses can be used to purchase multiple licenses with a single activation key.

HPE Security	HP DL120 Gen9 Thumbscrew Ear FIO Kit	787198-B21
	HP Trusted Platform Module 2.0 Kit	745823-B21
	NOTE: HPE Trusted Platform Module 2.0 Option works with Gen9 servers with UEFI Mode not Legacy Mode. It is not compatible with HPE ProLiant Gen8 servers or earlier generation variants.	
	NOTE: HPE Gen9 servers purchased earlier may need the latest firmware update to be compatible with the TPM 2.0 Option.	
	NOTE: HPE server systems can have a TPM module (of any type) installed only once. It cannot be replaced with any other TPM module.	
	HP Trusted Platform Module Option	488069-B21
	NOTE: The HPE Trusted Platform Module Option (488069-B21) is the TPM 1.2 version. Compatible server platforms include Gen8 and Gen9 servers.	
	NOTE: HPE server systems can have a TPM module (of any type) installed only once. It cannot be replaced with any other TPM module.	
	HP DL120 Gen9 Quick Release Ear FIO Kit	787194-B21
	HPE DL120 Gen9 Quick Release Ear FIO Kit	787194-B21
HP 1U Security Bezel Kit	664918-B21	
NOTE: Quick Release Ear option kit (P/N 787194-B21) is required for installing security bezel.		

HPE Storage Controllers

SAS Controllers

HPE Smart Array Controllers

HP Smart Array P440/2GB FBWC 12Gb 1-port Int SAS Controller	820834-B21
---	------------

NOTE: Includes the HPE Smart Storage Battery.

HP Smart Array P440/4GB FBWC 12Gb 1-port Int SAS Controller	726821-B21
---	------------

HP Smart Array P441/4GB FBWC 12Gb 2-ports Ext SAS Controller	726825-B21
--	------------

HP Smart Array P440/4GB FBWC 12Gb 1-port Int FIO SAS Controller	761872-B21
---	------------

NOTE: Includes the HPE Smart Storage Battery.

HPE Smart Host Bus Adapters

HP H240 12Gb 2-ports Int Smart Host Bus Adapter	726907-B21
---	------------

HP H240 12Gb 2-ports Int FIO Smart Host Bus Adapter	761873-B21
---	------------

HP H241 12Gb 2-ports Ext Smart Host Bus Adapter	726911-B21
---	------------

HPE Cable Options

HP DL60/80/120 Gen9 4LFF Cable FIO Kit	777331-B21
--	------------

HP DL60/120 Gen9 4LFF Smart Array P440 SAS Cable Kit	777382-B21
--	------------

HP DL60/120 Gen9 4LFF Smart HBA H240 SAS Cable Kit	777385-B21
--	------------

HP DL120 Gen9 8SFF Smart Array B140i Cable FIO Kit	777415-B21
--	------------

Additional Options

HP DL120 Gen9 8SFF Smart Array P440 SAS Cable Kit	777418-B21
HP DL120 Gen9 8SFF Smart HBA H240 SAS Cable Kit	777421-B21

NOTE: One of the above cables is required to be selected depending on the combination of chassis and storage controller. Cable option kit descriptions include the right chassis and storage controllers names.

NOTE: FIO indicates that this option is only available as a factory installable option. Please select FIO option if you want the option to be factory installed.

NOTE: NHP server chassis (Mod-x) includes SATA cables required to connect drives to embedded B140i SATA controller.

Optional Software

HPE SmartCache No Media 24x7 Technical Support 1-server LTU	D7S26A
HPE SmartCache No Media 24x7 Technical Support Flexible LTU	D7S27A
HPE SmartCache No Media 24x7 Technical Support E-LTU	D7S27AAE

NOTE: HPE SmartCache is supported when one of the supported Smart Array Controllers is installed in the server.

Optional Upgrades

HP 96W Smart Storage Battery with 145mm Cable for DL/ML/SL Servers	727258-B21
--	------------

NOTE: This option is mandatorily required with HPE Smart Array controllers. One server can accommodate only 1 Smart Storage Battery that would suffice the requirement of all HPE Smart Array controllers.

HPE Tape Backup

NOTE: For the complete range of tape drives, autoloaders, libraries and media see: <http://www.hp.com/go/tape>. For hardware and software compatibility of Hewlett Packard Enterprise tape backup products see: <http://www.hp.com/storage/SPOCK> and <http://www.hp.com/go/ebs>.

NOTE: For Internal drives to be connected to DL servers please make sure that you order rack mount kit as well.

Tape Drives

SAS Rack-Mount Tape Solutions

HPE StoreEver LTO-7 Ultrium 15000 External Tape Drive	BB874A
HPE StoreEver LTO-6 Ultrium 6650 SAS External Tape Drive	EH964A
HPE StoreEver LTO-6 Ultrium 6250 Tape Drive in a 1U Rack Mount Kit	COL99A
HPE StoreEver LTO-6 Ultrium 6250 External Tape Drive	EH970A
HPE StoreEver LTO-5 Ultrium 3000 SAS Tape Drive in a 1U Rack Mount Kit	EJ014B
HPE StoreEver LTO-5 Ultrium 3000 SAS External Tape Drive	EH958B
HPE StoreEver LTO-5 Ultrium 3280 SAS External Tape Drive	EH900B
HPE StoreEver LTO-4 Ultrium 1760 SAS (1) in a 1U Rack Mount Kit	EH946C
HPE StoreEver LTO-4 Ultrium 1760 SAS External Tape Drive	EH920B
HPE StoreEver LTO-3 Ultrium 920 SAS External Tape Drive	EH848B
HPE StoreEver 1U SAS Rack Mount Kit	AE459B

HPE DAT Autoloader

HPE StoreEver 1/8 G2 LTO-6 Ultrium 6250 Fibre Channel Tape Autoloader	COH19A
---	--------

HPE MSL2024 Tape Library

HPE StoreEver MSL2024 0-drive Tape Library	AK379A
--	--------

HPE MSL4048 Tape Library

HPE StoreEver MSL4048 0-drive Tape Library	AK381A
--	--------

HPE StoreEver MSL6480

HPE StoreEver MSL6480 Scaleable Expansion Module	QU626A
HPE StoreEver MSL6480 Scalable Base Module	QU625A

Additional Options

HPE Disk Backup	HPE RDX Removable Disk Backup System	
	HP RDX+ 1TB External Backup System	B7B69B
	HP RDX+ 500GB External Backup System	B7B66B
	HP RDX 2TB USB3.0 External Disk Backup System	E7X53B
	HPE RDX+ 3TB USB 3.0 External Disk Backup System	P9L72A
	HPE RDX 3TB USB 3.0 Internal Disk Backup System	P9L71A
	HPE D3700 Enclosure	QW967A
	HPE D3600 Enclosure	QW968A
	HPE RDX+ External Docking System	C8S07B
	HPE StoreOnce Backup systems	
	HPE StoreOnce 5100 48TB System	BB915A
	HPE StoreOnce 3540 24TB System	BB914A
	HPE StoreOnce 3520 12TB System	BB922A
	HPE StoreOnce 3100 8TB System	BB913A

NOTE: For the complete range of RDX drives and media see: <http://www.hp.com/go/rdx>. For hardware and software compatibility of Hewlett Packard Enterprise disk backup products see: <http://www.hp.com/storage/SPOCK>.

HPE Storage Options	Emulex Fibre Channel HBAs	
	HPE 81E 8Gb 1-port PCIe Fibre Channel Host Bus Adapter	AJ762B
	HPE 82E 8Gb 2-port PCIe Fibre Channel Host Bus Adapter	AJ763B
	HPE StoreFabric SN1100E 16Gb Single Port Fibre Channel Host Bus Adapter	C8R38A
	HPE StoreFabric SN1100E 16Gb Dual Port Fibre Channel Host Bus Adapter	C8R39A
	QLogic Fibre Channel HBAs	
	HPE 81Q 8Gb 1-port PCIe Fibre Channel Host Bus Adapter	AK344A
	HPE 82Q 8Gb 2-port PCIe Fibre Channel Host Bus Adapter	AJ764A
	HPE StoreFabric SN1000Q 16GB 1-port PCIe Fibre Channel Host Bus Adapter	QW971A
	HPE StoreFabric SN1000Q 16GB 2-port PCIe Fibre Channel Host Bus Adapter	QW972A
	Converged Network Adapter	
	HPE StoreFabric CN1200E 10Gb Converged Network Adapter	E7Y06A
	HPE StoreFabric CN1100R Dual Port Converged Network Adapter	QW990A
	HPE StoreFabric CN1200E 10GBASE-T Dual Port Converged Network Adapter	N3U51A
	HPE StoreFabric CN1100R 10GBASE-T Dual Port Converged Network Adapter	N3U52A

HPE Disk Storage Systems	Disk Enclosures	
	HP D6000 w/35 4TB 6G SAS 7.2K LFF Dual Port MDL HDD 140TB Bundle	E7W30A
	HP D6000 w/70 4TB 6G SAS 7.2K LFF Dual Port MDL HDD 280TB Bundle	E7W31A
	HP D6000 Dual I/O Module Disk Enclosure	QQ695A
	HP D6000 w/35 2TB 6G SAS 7.2K LFF Dual port MDL HDD 70TB Bundle	QQ697A
	HP D6000 w/70 2TB 6G SAS 7.2K LFF Dual port MDL HDD 140TB Bundle	QQ698A
	HP D6000 w/35 3TB 6G SAS 7.2K LFF Dual port MDL HDD 105TB Bundle	QQ699A
	HP D6000 w/70 3TB 6G SAS 7.2K LFF Dual port MDL HDD 210TB Bundle	QQ700A
	HPE D6000 w/70 8TB 12G SAS 7.2K LFF (3.5in) Dual Port MDL HDD 560TB Bundle	M0T59A
	HPE D6000 w/35 8TB 12G SAS 7.2K LFF (3.5in) Dual Port MDL HDD 280TB Bundle	M0T58A

HPE Data Center Racks	HPE Advanced Series Racks	
	HPE 11648 1075mm Pallet Universal Rack	H6J87A

Additional Options

HPE 11648 1075mm Shock Universal Rack	H6J88A
HPE 11642 1075mm Pallet Universal Rack	H6J65A
HPE 11642 1075mm Shock Universal Rack	H6J66A
HPE 11642 1200mm Pallet Universal Rack	H6J67A
HPE 11642 1200mm Shock Universal Rack	H6J68A
HPE 11636 1075mm Pallet Universal Rack	H6J77A
HPE 11636 1075mm Shock Universal Rack	H6J78A
HPE 11622 G2 1075mm Shock Universal Rack	H6J83A
HPE 11622 G2 1075mm Shock Universal Rack	H6J84A
HPE 11614 1075mm Shock Universal Rack	H6J82A

NOTE: Please see the **HPE Advanced Series Racks QuickSpecs** for information on additional racks options and rack specifications.

HPE Enterprise Series Racks

HPE 647 1075mm Pallet Intelligent Series Rack	BW911A
HPE 647 1075mm Shock Intelligent Series Rack	BW912A
HPE 647 1200mm Pallet Intelligent Series Rack	BW913A
HPE 647 1200mm Shock Intelligent Series Rack	BW914A
HPE 642 1075mm Pallet Intelligent Series Rack	BW903A
HPE 642 1075mm Shock Intelligent Series Rack	BW904A
HPE 642 1200mm Pallet Intelligent Series Rack	BW907A
HPE 642 1200mm Shock Intelligent Series Rack	BW908A
HPE 636 1075mm Pallet Intelligent Series Rack	BW895A
HPE 636 1075mm Shock Intelligent Series Rack	BW896A
HPE 842 1075mm Pallet Intelligent Series Rack	BW917A
HPE 842 1075mm Shock Intelligent Series Rack	BW918A

NOTE: Please see the **HPE Enterprise Series Racks QuickSpecs** for information on additional racks options and rack specifications.

HPE Standard Series Rack

HPE V142 1075mm deep Pallet 100 series Rack	AF046A
---	--------

NOTE: Please see the **HPE Standard Series Racks QuickSpecs** for information on additional racks options and rack specifications.

HPE Power Distribution Units (PDUs)	HPE Basic Power Distribution Units (PDU)	
	HPE Basic 1.9kVA/L5-20P 16A/120V Outlets (12) 5-20R/Horizontal NA/JP PDU	H5M54A
	HPE Basic 3.6kVA/60320 C20 Detachable 16A/230V Outlets (12) C13/Horizontal WW PDU	H5M56A
	HPE Basic 2.8kVA/L5-30P 24A/120V Outlets (18) 5-20R/Vertical NA/JP PDU	H5M55A
	HPE Basic 4.9kVA/60320 C20 Detachable 16A/230V Outlets (20) C13/Vertical WW PDU	H5M57A
	HPE Basic 4.9kVA/L6-30P 24A/208V Outlets (20) C13/Vertical NA/JP PDU	H5M58A
	HPE Basic 7.3kVA/60309 5-wire 32A/230V Outlets (20) C13/Vertical INTL PDU	H5M68A
	HPE Basic 3Ph 8.6kVA/L15-30P 24A/208V Outlets (18) C13/Vertical NA/JP PDU	H5M61A
	HPE Basic 4.9kVA/L6-30P 24A/208V Outlets (24) C13 (6) C19/Vertical NA/JP PDU	H5M59A
	HPE Basic 7.3kVA/60309 3-wire 32A/230V Outlets (24) C13 (6) C19/Vertical INTL PDU	H5M70A
	HPE Basic 8.3kVA/CS8265C 40A/208V Outlets (30) C13 (6) C19/Vertical NA PDU	H5M60A
	HPE Basic 11kVA/60309 63A 3-wire 48A/230V Outlets (30) C13 (6) C19/Vertical INTL PDU	H5M71A

Additional Options

HPE Basic 9.2kVA/50A Terminal Block 40A/230V Outlets (30) C13 (6) C19/Vertical WW PDU	H5M75A
HPE Basic 3Ph 5.7kVA/ L21-20P 16A/120-208V Outlets (24) C13 (3) 5-20R/Vertical NA/JP PDU	H5M63A
HPE Basic 3Ph 8.6kVA/L21-30P 24A/120-208V Outlets (24) C13 (3) C19 (3) 5-20R/Vertical NA/JP PDU	H5M64A
HPE Basic 3Ph 8.6kVA/L15-30P 24A/208V Outlets (24) C13 (6) C19/Vertical NA/JP PDU	H5M62A
HPE Basic 3Ph 11kVA/60309 5-wire 16A/230V Outlets (24) C13 (6) C19/Vertical INTL PDU	H5M72A
HPE Basic 3Ph 11kVA/60309 5-wire 16A/230V Outlets (36) C13 (6) C19/Vertical INTL PDU	H5M73A
HPE Basic 3Ph 11kVA/60309 16A/240V Outlets (36) C13 (6) C19/Vertical NA PDU	H5M67A
HPE Basic Modular 2.8kVA/L5-30P 24A/120V Outlets (4) C19/Horizontal NA/JP PDU	252663-D71
HPE Basic Modular 4.9kVA/L6-30P 24A/208V Outlets (4) C19/Horizontal NA/JP Core Only PDU	252663-D74
HPE Basic Modular 8.3kVA/CS8265C 40A/208V Outlets (4) C19/Horizontal NA/JP PDU	252663-D75
HPE Basic Modular 7.3kVA/60309 3-wire 32A/230V Outlets (4) C19/Horizontal INTL Core Only PDU	252663-B33
HPE Basic Modular 9.2kVA/60309 63A 3-wire 40A/230V Outlets (4) C19/Horizontal INTL PDU	252663-B34
HPE Basic Modular 3Ph 8.6kVA/L15-30P 24A/208V Outlets (6) C19/Horizontal NA/JP PDU	AF512A
HPE Basic Modular 3Ph 11kVA/60309 5-wire 16A/230V Outlets (6) C19/Horizontal INTL PDU	AF513A
HPE Basic Modular 3Ph 14.4kVA/CS8365C 40A/208V Outlets (6) C19/Horizontal NA/JP PDU	AF519A
HPE Basic Modular 3Ph 17.3kVA/60309 60A 4-wire 48A/208V Outlets (6) C19/Horizontal NA/JP PDU	AF511A
HPE Basic Modular 3Ph 22kVA/60309 5-wire 32A/230V Outlets (6) C19/Horizontal INTL PDU	AF518A
HP 800VA - 277V Input / 230V Output NA Rack Mount Transformer	H3X09A
NOTE: Please see the HPE Basic Power Distribution Units (PDU) QuickSpecs for information on additional options and product specifications.	
HPE Metered Power Distribution Units (PDU)	
HPE Metered 2.8kVA/L5-30P 24A/120V Outlets (12) 5-20R/Horizontal NA/JP PDU	D9N43A
HPE Metered 3.6kVA/60320 C20 Detachable 16A/230V Outlets (12) C13/Horizontal WW PDU	D9N46A
HPE Metered 4.9kVA/L6-30P 24A/208V Outlets (12) C13/Horizontal NA/JP PDU	D9N44A
HPE Metered 3.6kVA/60320 C20 Detachable 16A/230V Outlets (16) C13/Vertical WW PDU	D9N45A
HPE Metered 4.9kVA/L6-30P 24A/208V Outlets (12) C13/Vertical NA/JP PDU	G9Z05A
HPE Metered 7.3kVA/60309 3-wire 32A/230V Outlets (12) C13/Vertical INTL PDU	G9Z06A
HPE Metered 4.9kVA/L6-30P 24A/208V Outlets (20) C13 (4) C19/Vertical NA/JP PDU	D9N47A

Additional Options

HPE Metered 7.3kVA/60309 32A 3-wire/230V Outlets (20) C13 (4) C19/Vertical INTL PDU	D9N48A
HPE Metered 3Ph 8.6kVA/L15-30P 24A/208V Outlets (18) C13 (3) C19/Vertical NA/JP PDU	D9N51A
HPE Metered 3Ph 8.6kVA/L21-30P 24A/120-208V Outlets (18) C13 (3) C19 (3) 5-20R/Vertical NA/JP PDU	D9N53A
HPE Metered 3Ph 11kVA/60309 5-wire 16A/230V Outlets (18) C13 (3) C19/Vertical INTL PDU	D9N55A
HPE Metered 8.3kVA/CS8265C 40A/208V Outlets (30) C13 (3) C19/Vertical NA PDU	D9N49A
HPE Metered 7.3kVA/60309 32A 3-wire/230V Outlet (32) C13 (4) C19/Vertical INTL PDU	D9N50A
HPE Metered 3Ph 11kVA/60309 5-wire 16A/230V Outlets (30) C13 (3) C19/Vertical INTL PDU	D9N57A
HPE Metered 3Ph 14.4kVA/CS8365C 40A/208V Outlets (12) C13 (12) C19/Vertical NA/JP PDU	D9N58A
HPE Metered 3Ph 16.6kVA/60309 32A-30A 5-wire 24A/230V Outlets (30) C13 (3) C19/Vertical NA/JP PDU	D9N61A
HPE Metered 3Ph 16.6kVA/60309 32A-30A 5-wire 24A/230V Outlets (12) C13 (12) C19/Vertical NA/JP PDU	D9N62A
HPE Metered 3Ph 17.3kVA/60309 60A 4-wire 48A/208V Outlets (24) C13 (3) C19/Vertical NA/JP PDU	D9N54A
HPE Metered 3Ph 17.3kVA/60309 60A 4-wire 48A/208V Outlets (12) C13 (12) C19/Vertical NA/JP PDU	D9N59A
HPE Metered 3Ph 17.3kVA/60309 60A 4-wire 48A/208V Outlets (12) C13 (12) C19/Vertical NA/JP PDU	G9Z07A
HPE Metered 3Ph 19.9kVA/L22-30P 24A/277V Outlets (30) RF-203P- HP/Vertical NA PDU	D9N63A
HPE Metered 3Ph 22kVA/60309 5-wire 32A/230V Outlet (30) C13 (3) C19/Vertical INTL PDU	D9N56A
HPE Metered 3Ph 22kVA/60309 5-wire 32A/230V Outlets (12) C13 (12) C19/Vertical INTL PDU	D9N60A
HPE Metered 3Ph 22kVA/60309 5-wire WT 32A/230V Outlets (12) C13 (12) C19/Vertical INTL PDU	G9Z08A
HP Environmental Sensor for Remote Monitored and Managed PDUs	E2D53A
NOTE: Please see the HPE Metered Power Distribution Units (PDU) QuickSpecs for information on additional options and product specifications.	
HPE Intelligent Power Distribution Unit (PDU)	
HPE Intelligent Modular 4.9kVA/L6-30P 24A/208V Outlets (6) C19/Horizontal NA/JP PDU	AF520A
HPE Intelligent Modular 8.3kVA/CS8265C 40A/208V Outlets (6) C19/Horizontal NA/JP PDU	AF521A
HPE Intelligent Modular 3Ph 8.6kVA/L15-30P 24A/208V Outlets (6) C19/Horizontal NA/JP PDU	AF522A
HPE Intelligent Modular 3Ph 17.3kVA/60309 60A 4-wire 48A/208V (6) C19/Horizontal NA/JP PDU	AF523A
HPE Intelligent Modular 3Ph 17.3kVA/60309 30A 5-wire 24A/240V (6) C19/Horizontal NA/JP PDU	AF901A
HPE Intelligent Modular 7.3kVA/60309 3-wire 32A/230V Outlets (6) C19/Horizontal INTL PDU	AF525A
HPE Intelligent Modular 3Ph 11kVA/60309 5-wire 16A/230V Outlets (6) C19/Horizontal INTL PDU	AF526A

Additional Options

HPE Intelligent Modular 3Ph 22kVA/60309 5-wire 32A/230V Outlets (6) C19/Horizontal INTL PDU	AF527A
HPE Intelligent Modular 3Ph 17.3kVA/IEC 60309 60A 4-wire 48A/208V (12) C19/Horizontal NA/JP PDU	AF535A
HPE Intelligent Modular 3Ph 22kVA/60309 5-wire 32A/230V Outlets (12) C19/Horizontal INTL PDU	AF538A
HPE Intelligent Modular 4.9kVA/L6-30P 24A/208V Outlets (20) C13 (6) C19/Horizontal NA/JP PDU	AF531A
HPE Intelligent Modular 3Ph 8.6kVA/L15-30P 24A/208V Outlets (20) C13 (6) C19/Horizontal NA/JP PDU	AF532A
HPE Intelligent Modular 3Ph 14.4kVA/CS8365C 40A/208V Outlets (6) C19/Horizontal NA/JP PDU	AF533A
HPE Intelligent Modular 7.3kVA/60309 3-wire 32A/230V Outlets (6) C19/Horizontal INTL PDU Kit	AF534A
HP 5xC13 Intelligent PDU Extension Bar G2 Kit	AF547A
HP 5xC13 Outlets Power and UID LEDs Pair Standard Extension Bar	AF528A

NOTE: Please see the [HPE Intelligent Power Distribution Unit \(PDU\) QuickSpecs](#) for information on additional options and product specifications.

HPE Metered and Switched Power Distribution Units (PDU)

HPE Metered Switched 2.8kVA/L5-30P 24A/120V Outlets (24) 5-20R /Vertical NA/JP PDU	H8B48A
HPE Metered Switched 3.6kVA/60320 C20 Detachable 16A/230V Outlets (7) C13 (1) C19/Vertical WW PDU	H8B49A
HPE Metered Switched 4.9kVA/L6-30P 24A/208V Outlets (20) C13 (4) C19/Vertical NA/JP PDU	H8B50A
HPE Metered Switched 7.3kVA/60309 3-wire 32A/230V Outlets (20) C13 (4) C19/Vertical INTL PDU	H8B51A
HPE Metered Switched 3Ph 8.6kVA/L15-30P 24A/208V Outlets (18) C13 (6) C19/Vertical NA/JP PDU	H8B52A
HPE Metered Switched 3Ph 8.6kVA/L21-30P 24A/208V Outlets (20)C13 (3)C19 (1)5-20R/Vertical NA/JP PDU	H8B53A
HPE Metered Switched 3Ph 11kVA/60309 5-wire 16A/230V Outlets (21) C13 (3) C19/Vertical INTL PDU	H8B54A
HPE Metered Switched 3Ph 14.4kVA/CS8365C 40A/208V Outlets (12) C13 (12) C19/Vertical NA/JP PDU	H8B55A
HPE Metered Switched 3Ph 17.3kVA/60309 4-wire 48A/208V Outlets (12) C13 (12) C19/Vertical NA/JP PDU	H8B56A

NOTE: Please see the [HPE Metered and Switched Power Distribution Units \(PDU\) QuickSpecs](#) for information on additional options and product specifications.

NOTE: To learn more, please visit the [HPE Uninterruptible Power Systems \(UPS\) web page](#).

HPE Rack Mount Consoles, KVM Switches, and Keyboards

HPE Location Discovery Services

HPE Location Discovery Services LCD8500 Kit	TL052A
---	--------

NOTE: Please see the [HPE Location Discovery Services QuickSpecs](#) for information on additional options and product specifications.

HPE Rack Mount Consoles

HP LCD8500 1U US Rackmount Console Kit	AF630A
HP LCD8500 1U UK Rackmount Console Kit	AF631A
HP LCD8500 1U DE Rackmount Console Kit	AF632A
HP LCD8500 1U FR Rackmount Console Kit	AF633A
HP LCD8500 1U JP Rackmount Console Kit	AF642A

Additional Options

HP LCD8500 1U RU Rackmount Console Kit	AF643A
HP LCD8500 1U INTL Rackmount Console Kit	AF644A
HP LCD8500 1U US TAA Rackmount Console Kit	AF645A

HPE KVM Switches

HP 0x1x8 G3 KVM Console Switch	AF651A
HP 0x2x16 G3 KVM Console Switch	AF652A
HP TAA 0x2x16 G3 KVM Console Switch	AF653A
HP USB Remote Access Key for G3 KVM Console Switches	AF650A
HP KVM Console USB Interface Adapter	AF628A
HP 0x2x16 KVM Server Console Switch G2 with Virtual Media CAC Software	AF618A
HP 0x2x32 KVM Server Console Switch G2 with Virtual Media CAC Software	AF619A
HP KVM Console USB 2.0 Virtual Media CAC Interface Adapter	AF629A
HP 1x4 USB/PS2 KVM Console Switch	AF611A
HP 1x1Ex8 KVM IP Console Switch G2 with Virtual Media CAC Software	AF620A
HP 2x1Ex16 KVM IP Console Switch G2 with Virtual Media CAC Software	AF621A
HP 4x1Ex32 KVM IP Console Switch G2 with Virtual Media CAC Software	AF622A

NOTE: To learn more, please visit the [HPE KVM Switches web page](#).

HPE USB Keyboard and Mouse

HP USB BFR with PVC Free US Keyboard/Mouse Kit	631341-B21
HP USB BFR with PVC Free UK Keyboard/Mouse Kit	631344-B21
HP USB BFR with PVC Free FR Keyboard/Mouse Kit	631346-B21
HP USB BFR with PVC Free ES Keyboard/Mouse Kit	631348-B21
HP USB BFR with PVC Free DE Keyboard/Mouse Kit	631358-B21
HP USB BFR with PVC Free JP Keyboard/Mouse Kit	631360-B21
HP USB BFR with PVC Free IT Keyboard/Mouse Kit	631362-B21
HP USB BFR with PVC Free CN Keyboard/Mouse Kit	631364-B21
HP USB BFR with PVC Free AE Keyboard/Mouse Kit	638212-B21
HP USB BFR with PVC Free RU Keyboard/Mouse Kit	638214-B21
HP USB BFR with PVC Free IN Keyboard/Mouse Kit	672097-D63
HP USB BFR with PVC Free AP-Intl Keyboard/Mouse Kit	672097-373
HP USB BFR with PVC Free Intl Keyboard/Mouse Kit	672097-B33
HP USB BFR with PVC Free PT Keyboard/Mouse Kit	672097-133
HP USB BFR with PVC Free TR Keyboard/Mouse Kit	672097-143
HP USB BFR with PVC Free CZ Keyboard/Mouse Kit	672097-223
HP USB BFR with PVC Free FI Keyboard/Mouse Kit	672097-353
HP USB BFR with PVC Free SE Keyboard/Mouse Kit	672097-103
HP USB BFR with PVC Free CH Keyboard/Mouse Kit	672097-113
HP USB BFR with PVC Free KR Keyboard/Mouse Kit	672097-KD3

HPE Other Options

HPE Rack LED Light Kit	BW939A
HP Kit LCD 1.83m Latch Display Port Cable	G7T29A
HP ConvergedSystem Door Branding Kit	TK815A
HP ConvergedSystem Rack Light Kit	TK816A
HP ConvergedSystem Rack Side Panel 1075mm Kit	TK817A

HPE Uninterruptible HPE DirectFlow Three Phase UPS

Power Systems (UPS)

Power Unit (1U UPS)

HPE R12000 DirectFlow - 1U Rackmount Uninterruptible Power System	G9Y75A
HPE R12000 DirectFlow - POD 1U Rackmount Uninterruptible Power System	AF478A

Additional Options

HPE RP12000/3 12000VA Three Phase INTL 6U Rackmount Uninterruptible Power System AF437A

Input/Output Module Options for 1U UPS

HPE 32A 400-415 Volt Three Phase INTL R12000 DirectFlow UPS IEC309 Input/Output Module AF488A

HPE 30A 400-415 Volt Three Phase NA R10000 DirectFlow UPS IEC309 Input/Output Module AF489A

HPE 32A 380 Volt Three Phase China R12000 DirectFlow UPS Unterminated Input/Output Module AF490A

HPE 30A 480 Volt Three Phase NA R12000 DirectFlow UPS L22-30 Input/Output Module AF491A

HPE 30A 480 Volt Three Phase NA R12000 DirectFlow UPS IEC309 Input/Output Module AF492A

HPE 30A 400-415 Volt Three Phase NA R12000 DirectFlow UPS IEC309 Input/Output Module G9Y76A

Power Unit (2U UPS)

HPE R18000 DirectFlow - 2U Rackmount Uninterruptible Power System AF479A

Input/Output Module Options for 2U UPS

HPE 32A 400-415 Volt Three Phase INTL R18000 DirectFlow UPS IEC309 Input/Output Module AF483A

HPE 30A 380 Volt Three Phase China R18000 DirectFlow UPS Unterminated Input/Output Module AF485A

HPE 30A 480 Volt Three Phase NA R18000 DirectFlow UPS IEC309 Input/Output Module AF486A

HPE 30A 480 Volt Three Phase NA R18000 DirectFlow UPS IEC309 Input/Output Module AF487A

HPE 30A 400 Volt Three Phase NA R18000 DirectFlow UPS IEC309 Input/Output Module D9Q02A

HPE 30A 400-415V Three Phase NA R18000 DirectFlow UPS 1:1 IEC309 Input/Output Module AF484A

NOTE: All Input/Output Modules support dual output outlets except the AF484A.

Battery Pack Options

HPE DirectFlow UPS - 1U Rackmount Lithium-ion Battery Pack AF480A

HPE DirectFlow UPS - 3U Rackmount VRLA Battery Pack AF482A

HPE WW DirectFlow Secondary Battery Cable AF497A

NOTE: Please see the [HPE DirectFlow Three Phase Uninterruptible Power System QuickSpecs](#) for information on additional options and product specifications.

HPE Tower UPS

HPE T750 G4 UPS Models

HPE T750 G4 NA/JP Uninterruptible Power System J2P85A

HPE T750 G4 INTL Uninterruptible Power System J2P88A

HPE T1000 G4 UPS Models

HPE T1000 G4 NA/JP Uninterruptible Power System J2P86A

HPE T1000 G4 INTL Uninterruptible Power System J2P89A

HPE T1500 G4 UPS Models

HPE T1500 G4 NA/JP Uninterruptible Power System J2P87A

HPE T1500 G4 INTL Uninterruptible Power System J2P90A

HPE Rack/Tower UPS

HPE R/T2200 G4 UPS Models

HPE R/T2200 G4 NA/JP Uninterruptible Power System J2R00A

Additional Options

HPE R/T3000 G4 UPS Models

HPE R/T3000 G4 Low Voltage NA/JP Uninterruptible Power System	J2R01A
HPE R/T3000 G4 High Voltage NA/JP Uninterruptible Power System	J2R02A
HPE R/T3000 G4 High Voltage INTL Uninterruptible Power System	J2R04A

R1500 G4 Models

HPE R1500 G4 NA Uninterruptible Power System	J2Q99A
HPE R1500 G4 JP/TWN Uninterruptible Power System	J2R05A
HPE R1500 G4 INTL Uninterruptible Power System	J2R03A

R7000 Uninterruptible Power System (UPS)

HPE R7000 4U 50A High Voltage NA/JP Uninterruptible Power System	AF462A
HPE R7000 4U IEC-32A High Voltage INTL Uninterruptible Power System	AF463A

R5000 Uninterruptible Power System (UPS)

HPE R5000 3U L630 High Voltage NA/JP Uninterruptible Power System	AF460A
HPE R5000 3U IEC309-32A High Voltage INTL Uninterruptible Power System	AF461A

HPE UPS Options

HPE DirectFlow UPS Management Card	AF493A
HPE R/T2200 G4 Extended Runtime Module	J2R09A
HPE R/T3000 G4 Extended Runtime Module	J2R10A
HPE 2U Rack/Tower UPS Shipping Kit	L4Q11A

NOTE: Please see the [HPE Line Interactive Single Phase UPS QuickSpecs](#) for information on additional options and product specifications.

NOTE: To learn more, please visit the [HPE Uninterruptible Power Systems \(UPS\) web page](#).

HPE USB and SD Options

HPE Enterprise Mainstream Flash Media Kits for Memory Cards

HPE 32GB microSD Mainstream Flash Media Kit	700139-B21
HPE 8GB microSD Enterprise Mainstream Flash Media Kit	726116-B21
HP 8GB USB Enterprise Mainstream Flash Media Drive Key Kit	737953-B21
HP Dual 8GB microSD Enterprise Midline USB Kit	741279-B21

HPE Support Services

Installation & Start-up Services

HPE Installation DL320e/DL120 Service	U6F51E
HPE Startup DL320e/DL120 Service	U6F53E

Foundation Care

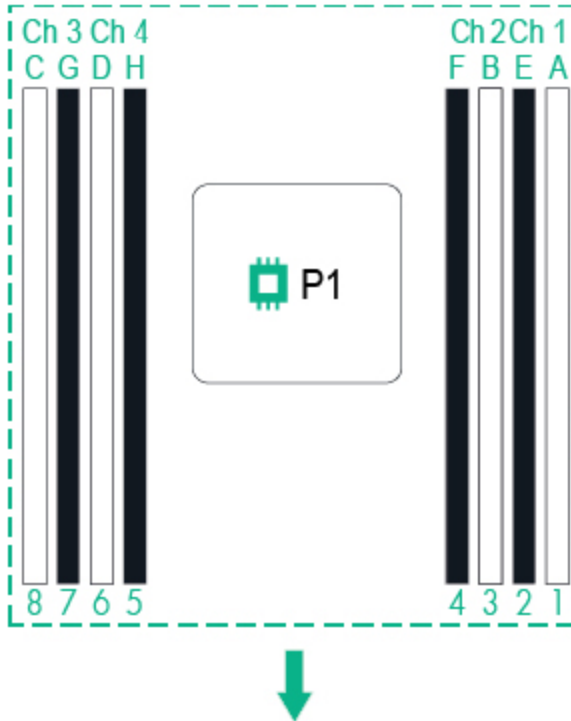
HPE 3 year Foundation Care 24x7 DL120 Gen9 Service	U7VP0E
HPE 3 year Foundation Care 24x7 wDMR DL120 Gen9 Service	U7VP1E
HPE 3 year Foundation Care 24x7 wCDMR DL120 Gen9 Service	U7VP2E

Proactive Care

HPE 3 year Proactive Care 24x7 DL120 Gen9 Service	U7VR7E
HPE 3 year Proactive Care 24x7 with DMR DL120 Gen9 Service	U7VR8E
HPE 3 year Proactive Care 24x7 with CDMR DL120 Gen9 Service	U7VR9E

Memory

Memory Population guidelines



General Memory Population Rules and Guidelines:

- Place the DIMMs with the highest number of ranks in the white slot when mixing DIMMs of different ranks on the same channel.
- Do not mix RDIMMs or LRDIMMs.
- Quad rank RDIMMs are not supported in HPE ProLiant DL120 Gen9 servers.
- DIMMs of different speeds may be mixed in any order; the server will select a common optimal speed.
- The maximum memory speed is a function of the memory type, memory configuration, and processor model.
- The maximum memory capacity is a function of the memory type and number of installed processors.
- To realize the performance memory capabilities listed in this document, HPE SmartMemory is required.

Intel Gen9 Supported Memory Bandwidth for HPE ProLiant Gen9 Intel® Xeon® E5-2600v3 Series Processor Family

Memory Bandwidth and Capacity							
[DIMM Type]	Registered DIMMs (RDIMMs)					Load Reduced (LRDIMMs)	
HPE SKU P/N	726717-B21	726718-B21	759934-B21	726719-B21	728629-B21	726720-B21	726722-B21
DIMM Rank	Single Rank	Single Rank	Dual Rank	Dual Rank	Dual Rank	Dual Rank	Quad Rank
DIMM Capacity	4GB	8GB	8GB	16GB	32GB	16GB	32GB
Voltage	Std Voltage 1.2V	Std Voltage 1.2V	Std Voltage 1.2V	Std Voltage 1.2V	Std Voltage 1.2V	Std Voltage 1.2V	Std Voltage 1.2V
DRAM Depth [bit]	512M	1G	512M	1G	1G	2G	2G
DRAM Width [bit]	x8	x4	x8	x4	x4	x4	x4
DRAM Density	4Gb	4Gb	4Gb	4Gb	4Gb	8Gb	8Gb
CAS Latency	15-15-15	15-15-15	15-15-15	15-15-15	15-15-15	15-15-15	15-15-15

Memory

DIMM Native Speed (MT/s)	2133	2133	2133	2133	2133	2133	2133
SLOTS THAT CAN BE POPULATED							
8 slot servers	8	8	8	8	8	8	8
MAXIMUM CAPACITY (GB)							
	32	64	64	128	256	128	256
POPULATED DIMM SPEED (MT/s)							
1 DIMM Per Channel	2133	2133	2133	2133	2133	2133	2133
2 DIMM Per Channel	2133	2133	2133	2133	2133	2133	2133
3 DIMM Per Channel	n/a	n/a	n/a	n/a	n/a	n/a	n/a

NOTE: DL120 has 2 DIMMs per channel and hence 3 DIMMs per channel memory speeds are not applicable on DL120.

Intel Gen9 Supported Memory Bandwidth for HPE ProLiant Gen9 Intel® Xeon® E5-2600v4 Series Processor Family

Memory Bandwidth and Capacity					
[DIMM Type]	Registered DIMMs (RDIMMs)				Load Reduced (LRDIMMs)
HPE SKU P/N	805347-B21	805349-B21	836220-B21	805351-B21	805353-B21
DIMM Rank	Single Rank	Single Rank	Dual Rank	Dual Rank	Dual Rank
DIMM Capacity	8GB	16GB	16GB	32GB	32GB
Voltage	Std Voltage 1.2V	Std Voltage 1.2V	Std Voltage 1.2V	Std Voltage 1.2V	Std Voltage 1.2V
DRAM Depth [bit]	1G	2G	1G	2G	2G
DRAM Width [bit]	x8	x4	x4	x4	x4
DRAM Density	8Gb	8Gb	4Gb	8Gb	8Gb
CAS Latency	17-17-17	17-17-17	17-17-17	17-17-17	17-17-17
DIMM Native Speed (MT/s)	2400	2400	2400	2400	2400
SLOTS THAT CAN BE POPULATED					
8 slot servers	8	8	8	8	8
MAXIMUM CAPACITY (GB)					
	64	128	128	256	256
POPULATED DIMM SPEED (MT/s)					
1 DIMM Per Channel	2400	2400	2400	2400	2400
2 DIMM Per Channel	2133	2133	2133	2133	2400
3 DIMM Per Channel	n/a	n/a	n/a	n/a	n/a

NOTE: DL120 has 2 DIMMs per channel and hence 3 DIMMs per channel memory speeds are not applicable on DL120.

Memory

DIMM slot and configuration diagram

DIMM slot and configuration diagrams

Basic memory slot & population diagram

- Population order; start with "A" first, "B" second, "C" third, etc.

	CPU 1		CPU 2	
	Slot #	population order	Slot #	population order
Chnl 1	1	A1	1	
	2	E2	2	
	CPU 1		CPU 2	
	Slot #	population order	Slot #	population order
Chnl 2	3	B3	3	
	4	F4	4	
	CPU 1		CPU 2	
	Slot #	population order	Slot #	population order
Chnl 4	5	H5	5	
	6	D6	6	
	CPU 1		CPU 2	
	Slot #	population order	Slot #	population order
Chnl 3	7	G7	7	
	8	C8	8	

Memory Speed by Processor Model

Processor Models	Supported Memory Speeds
E5-2603v3, E5-2609v3	1600MT/s
E5-2620v3, E5-2630v3, E5-2640v3, E5-2630Lv3, E5-2623v3	1866MT/s
E5-2650v3, E5-2660v3, E5-2650Lv3, E5-2699v3, E5-2698v3, E5-2695v3, E5-1650v3, E5-1620v3	2133MT/s
E5-2603v4, E5-2609v4	1866MT/s
E5-2630Lv4, E5-2620v4, E5-2623v4, E5-2630v4, E5-2640v4	2133MT/s
E5-2650Lv4, E5-2650v4, E5-2660v4, E5-2690v4, E5-2695v4, E5-2698v4, E5-2699v4, E5-1620v4, E5-1650v4	2400MT/s

Standard and Maximum Memory Capacity (Pre-configured Models)

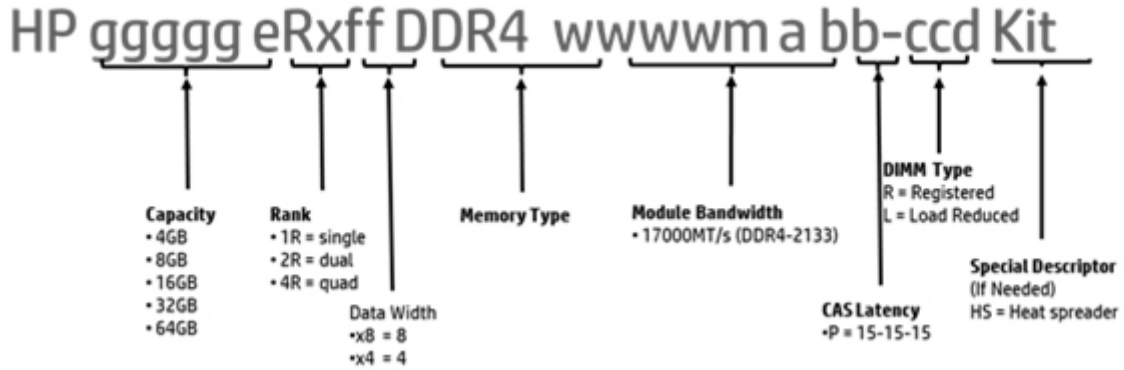
Pre Configured Models	Standard Memory	Maximum Memory Plus Optional Memory	Standard Memory Replaced with Optional Memory
E5-2630v4, E5-2630v3, E5-2603v4	8GB (1x8GB)	232GB (7x32GB, 1x8GB)	256GB (8x32GB)
E5-2603v3	4GB (1x4GB)	228GB (7x32GB, 1x4GB)	256GB (8x32GB)

DDR4 memory options part number decoder

Memory

NOTE: Capacity references are rounded to the common gigabyte (GB) values.

- 2GB = 2,048MB
- 4GB = 4,096MB
- 8GB = 8,192MB
- 16GB = 16,384MB
- 32GB = 32,768MB
- 64GB = 65,536MB



Storage



1-8 8 x SFF SATA/SAS/SSD Hot Pluggable Hard Drive Bays



1-4 4 x LFF SATA/SAS/SSD Hot Pluggable Hard Drives Bays

Technical Specifications

System Unit	Dimensions (H x W x D)	8 SFF - 1.69 x 17.11 x 23.90 inches (4.29 x 43.46 x 60.76 cm) 4 LFF - 1.69 x 17.11 x 23.90 inches (4.29 x 43.46 x 60.76 cm)
	Weight (approximate)	Maximum: 37.44 lb (17kg) (all hard drives, power supplies, and processors installed) Minimum: 19.82 lb (9kg) (One hard drive, power supply, and processor installed)
Input Requirements	Rated Line Voltage	100 to 240 VAC
	Rated Input Current	For 550W Power Supply: 6.7 A (at 100 VAC) 3.3 A (at 200 VAC)
	Rated Input Frequency	47 to 63 Hz
	Rated Input Power	For 550 W Power Supply: < 670 W (at 100 VAC), < 660 W (at 200 VAC),
BTU Rating	Maximum	For 550 W Power Supply: 2201 BTU/hr (at 100 VAC), 2153 BTU/hr (at 200 VAC)
Power Specifications	To review typical system power ratings use the Power Advisor which is available via the online tool located at: http://www.hpe.com/info/hppoweradvisor - Click on the system of interest. Example: DL120 Gen9- Follow the instructions of the next screens.	
Power Supply Output	Rated Steady-State Power	For 550 W Power Supply: 550 W (at 100 VAC), 550 W (at 200 VAC),
	Maximum Peak Power	For 550 W Power Supply: 550 W (at 100 VAC), 550 W (at 200 VAC),
System Inlet Temperature	Standard Operating Support	10° to 35°C (50° to 95°F) at sea level with an altitude derating of 1.0°C per every 304.8 m (1.8°F per every 1000 ft) above sea level to a maximum of 3048 m (10,000 ft), no direct sustained sunlight. Maximum rate of change is 20°C/hr (36°F/hr). The upper limit and rate of change may be limited by the type and number of options installed. System performance during standard operating support may be reduced if operating with a fan fault or above 30°C (86°F).
	Extended Ambient Operating Support	For approved hardware configurations, the supported system inlet range is extended to be: 5° to 10°C (41° to 50°F) and 35° to 40°C (95° to 104°F) at sea level with an altitude derating of 1.0°C per every 175 m (1.8°F per every 574 ft) above 900 m (2953 ft) to a maximum of 3048 m (10,000 ft). The approved hardware configurations for this system are listed at the URL: http://www.hpe.com/servers/ashrae .

Technical Specifications

System performance may be reduced if operating in the extended ambient operating range or with a fan fault.

NOTE: Supports A3 extended ambient.

	Non-operating	-30° to 60°C (-22° to 140°F). Maximum rate of change is 20°C/hr (36°F/hr).
Relative Humidity	Operating	Minimum to be the higher (more moisture) of -12°C (10.4°F) dew point or 8% relative humidity. Maximum to be the lower (less moisture) of 24°C (75.2°F) dew point or 90% relative humidity.
	(non-condensing) Non-operating	5% to 95% relative humidity (Rh), 38.7°C (101.7°F) maximum wet bulb temperature, non-condensing.
Altitude	Operating	3048 m (10,000 ft). This value may be limited by the type and number of options installed. Maximum allowable altitude change rate is 457 m/min (1500 ft/min).
	Non-operating	9144 m (30,000 ft). Maximum allowable altitude change rate is 457.2 m/min (1500 ft/min).
Acoustic Noise	Listed are the declared A-Weighted sound power levels (LWAd) and declared average bystander position A-Weighted sound pressure levels (LpAm) when the product is operating in a 23°C ambient environment. Noise emissions were measured in accordance with ISO 7779 (ECMA 74) and declared in accordance with ISO 9296 (ECMA 109).	
	Idle	
	L WAd	Entry 4.9 B Base 5.4 B
	L pAm	Entry 33.0 dBA Base 35.0 dBA
	Operating	
	L WAd	Entry 5.7 B Base 5.8 B
	L pAm	Entry 38.0 dBA Base 39.0 dBA
Emissions Classification (EMC)	FCC Rating	Class A
	Normative Standards	CISPR 22; EN55022; EN55024; FCC CFR 47, Pt 15; ICES-003; CNS13438; GB9254; K22;K24; EN 61000-3-2; EN 61000-3-3; EN 60950-1; IEC 60950-1

NOTE: Product conformance to cited product specifications is based on sample (type) testing, evaluation, or assessment. This product or family of products is eligible to bear the appropriate compliance logos and statements.

HPE Dynamic Smart Array B140i Controller	Number of PCI links	Four
	PCI link rate	4Gb/s
	Storage protocol support	SATA
	SAS/SATA peak data transfer rate	6Gb/s
	Number of SAS/SATA links	10 links

Technical Specifications

SAS/SATA connectivity	2x4 connectors; 2x1 connectors
Expander support	No
Drives supported (max)	Up to 10 Internal Drives
RAID support	0, 1, 10, 5 SATA
Software management	HPE SSA, SMH, SIM
Warranty	Server warranty
HPE Secure Encryption license	Not Supported
HPE SmartCache License	Not Supported
HPE Smart Storage Administrator	Supported

HPE Embedded Dual Port 361i Adapter

Network Interface	10Base-T/100Base-TX/1000Base-TX	
Compatibility	IEEE 802.3 10Base-T IEEE 802.3ab 1000Base-T IEEE 802.3u 100Base-TX IEEE 1588, IEEE 802.1AS IEEE 802.3az - Energy Efficient Ethernet (EEE)	
Data Transfer Method	PCI Express v 2.0, 5.0 GT/s, two lanes (x2)	
Controller	Intel I350 Powerville	
Network Transfer Rate	10Base-T (Half-Duplex)	10 Mb/s per port, 40 Mb/s combined
	10Base-T (Full-Duplex)	20 Mb/s per port, 80 Mb/s combined
	100Base-TX (Half-Duplex)	100 Mb/s per port, 400 Mb/s combined
	100Base-TX (Full-Duplex)	200 Mb/s per port, 800 Mb/s combined
	1000Base-TX (Half and Full-Duplex)	1000 Mb/s per port, 4000 Mb/s combined
Connector	Two RJ-45	
Cable Support	10 Base-T	Categories 3, 4 or 5 UTP; up to 328 ft (100 m)
	10/100/1000 Base-TX	Category 5 or higher UTP; up to 328 ft (100 m)

Environment-friendly Products and Approach

End-of-life Management and Recycling	Hewlett Packard Enterprise offers end-of-life product return, trade-in, and recycling programs, in many geographic areas, for our products. Products returned to Hewlett Packard Enterprise will be recycled, recovered or disposed of in a responsible manner.
---	---

Technical Specifications

<http://www.hpe.com/recycle>

The EU WEEE directive (2002/95/EC) requires manufacturers to provide treatment information for each product type for use by treatment facilities. This information (product disassembly instructions) is posted on the Hewlett Packard Enterprise web site. These instructions may be used by recyclers and other WEEE treatment facilities as well as Hewlett Packard Enterprise OEM customers who integrate and re-sell Hewlett Packard Enterprise equipment.

<http://www.hpe.com/recycle>

Summary of Changes

Date	Version History	Action	Description of Change
27-Mar-2017	From Version 20 to 21	Added	Added new Hard Drives.
17-Feb-2017	From Version 19 to 20	Changed	HPE Memory section under Core Options was revised.
13-Feb-2017	From Version 18 to 19	Added	Added new HDD and SSD offering to the HPE Drives section.
28-Nov-2016	From Version 17 to 18	Added	Added new Hard Drives offering.
		Changed	Maximum Internal Storage was revised.
		Removed	Obsolete SKUs were removed from the QuickSpecs.
28-Oct-2016	From Version 16 to 17	Removed	Obsolete Hard Drives were removed from the QuickSpecs.
26-Sep-2016	From Version 15 to 16	Added	Added new LFF 10TB SATA hard drives offering.
		Changed	Maximum Internal Storage section was revised.
		Removed	Obsolete SKUs were removed from the QuickSpecs.
19-Aug-2016	From Version 14 to 15	Changed	Smart Buy Models section was updated for the NA version only.
6-Jun-2016	From Version 13 to 14	Added	Added new HPE Memory, new HPE Drives offering, and new HPE Disk Backup options.
		Changed	HPE Processors, Upgradeability, and HPE Memory sections were revised.
8-Apr-2016	From Version 12 to 13	Changed	HPE Processors section was revised.
31-Mar-2016	From Version 11 to 12	Added	Added new HPE DDR4 2400 MHz Memory modules, Intel Xeon E5-2600v4 processor support, new HPE Trusted Platform Module (TPM) 2.0, new 900W AC/ 240VDC power supply, new HDD offering.
		Changed	Maximum Internal Storage, Power Supply, Upgradeability, Embedded Management, Service and Support, Pre-configured Models, HPE Security, and Memory sections were revised.
		Removed	Obsolete SKUs were removed from the QuickSpecs.
16-Feb-2016	From Version 10 to 11	Added	New HDD offering was added to HPE Drives.
		Changed	HPE Power Supplies, HPE Disk Backup, HPE Data Center Racks, and HPE Power Distribution Units (PDUs) were revised.
		Removed	Obsolete SKUs were removed from the QuickSpecs.
1-Dec-2015	From Version 9 to 10	Added	New HDD offering was added to HPE Drives. New options were added to HPE Security, HPE Tape Backup, HPE Rack Mount Consoles, and KVM Switches, and Keyboards.
		Changed	On System Management Chipset, Maximum Internal Storage, Embedded Management, and Server utilities were revised. Product images were updated.
		Removed	Obsolete SKUs were removed from the QuickSpecs.
23-Oct-2015	From Version 8 to 9	Changed	System Fans, HP Cooling Options, and HP Security were revised.
28-Sep-2015	From Version 7 to 8	Added	Added new 6Gb SATA Solid State Drives.

Summary of Changes

			Added new HPE OneView management software.
		Removed	Obsolete SKUs were removed from the QuickSpecs.
17-Aug-2015	From Version 6 to 7	Added	New Solid State Drives offering was added to Core Options.
		Changed	Maximum Internal Storage was revised.
		Removed	Obsolete SKUs were removed from the QuickSpecs.
1-Jun-2015	From Version 5 to 6	Added	New Hard Drives were added to Core Options. New options added to HPE Power Supplies. HPE OneView LTUs added to HPE Converged Infrastructure Management Software. New RDX+ external backup options were added.
		Changed	Pre-configured Models section was revised.
		Removed	Obsolete SKUs were removed from the QuickSpecs.
24-Apr-2015	From Version 4 to 5	Added	Added 813534-B21 and 813535-B21 to HPE Power Supplies.
16-Apr-2015	From Version 3 to 4	Changed	PCIe slots was changed to "1 PCIe LP standard / up to 3 PCIe slots (optional)" for Entry models and CTO models.
30-Mar-2015	From Version 2 to 3	Added	Added HPE Storage Options to Additional Options. Added new Hard Drives to Core Options. Added Optional Software to HPE Storage Controllers.
		Changed	HPE Processors, HPE Memory, HPE Hard Drives, HPE Networking, and HPE USB and SD Options were revised.
9-Feb-2015	From Version 1 to 2	Added	Added HPE Insight Software section and Network controller sections. Added new HPE Drives, HPE Disk Backup, and new G4 UPS models.
		Changed	HPE Memory, HPE Drives, HPE Tape Backup, HPE Rack Mount Consoles, KVM Switches, and Keyboards, and HPE Uninterruptible Power Systems (UPS) sections were revised.



hpe.com/qref/dl120gen9

Summary of Changes



[Sign up for updates](#)

© Copyright 2017 Hewlett Packard Enterprise Development LP. The information contained herein is subject to change without notice. The only warranties for Hewlett Packard Enterprise products and services are set forth in the express warranty statements accompanying such products and services. Nothing herein should be construed as constituting an additional warranty. Hewlett Packard Enterprise shall not be liable for technical or editorial errors or omissions contained herein.

Intel® and Xeon® are registered trademarks of Intel Corporation in the U.S. and other countries.

Microsoft®, Windows®, and Windows Server® are U.S. registered trademarks of the Microsoft group of companies.

For hard drives, 1GB = 1 billion bytes. Actual formatted capacity is less

c04447806 - 15087 - Worldwide - V21 - 27-March-2017

